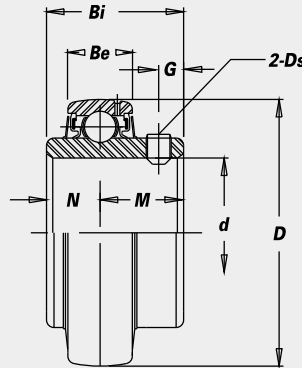


# UC & UCW Bearing Inserts



Standard duty with set screw lock.

- Wide inner race
- B-type or L3-type seals



Bearing No.	Bore Dia. of Bearing		Dimensions (in.) (mm)							Basic Load Rating (lbs.)	Basic Static Load Rating (lbs.)	Weight (lbs.)
	<i>d</i>	<i>D</i>	<i>Bi</i>	<i>Be</i>	<i>N</i>	<i>M</i>	<i>G</i>	<i>Ds</i> (in.)				
UCW 201		12										0.26
201-8	1/2	15	1.5748	1.0236	0.5906	0.3937	0.6299	0.1575	10-32UNF	2,040	1,020	0.26
202			40.0	26.0	15.0	10.0	16.0	4.0				0.24
202-10	5/8	17										0.24
203												0.22
UC 201		12										0.46
201-8	1/2	15	1.8504	1.2205	0.6299	0.5000	0.7205	0.1969	1/4-28UNF	2,740	1,600	0.46
202			47.0	31.0	16.0	12.7	18.3	5.0				0.42
202-10	5/8	17										0.42
203												0.40
204-12	3/4	20										0.35
204												0.35
UC 205-14	7/8		2.0472	1.3386	0.6693	0.5630	0.7756	0.2165	1/4-28UNF	3,010	1,750	0.51
205-15	15/16	25	52.0	34.0	17.0	14.3	19.7	5.5				0.46
205												0.44
205-16	1											0.44
UC 206-17	1 1/16		2.4409	1.5000	0.7480	0.6260	0.8740	0.2362	1/4-28UNF	4,200	2,430	0.81
206-18	1 1/8	30	62.0	38.1	19.0	15.9	22.2	6.0				0.75
206												0.71
206-19	1 3/16											0.71
206-20	1 1/4 S											0.71
UC 207-20	1 1/4		2.8346	1.6890	0.7874	0.6890	1.0000	0.2559	5/16-24UNF	5,535	3,340	1.19
207-21	1 3/8	35	72.0	42.9	20.0	17.5	25.4	6.5				1.12
207-22												1.06
207												1.06
207-23	1 7/8											0.99
UC 208-24	1 1/2		3.1496	1.9370	0.8268	0.7480	1.1890	0.3150	5/16-24UNF	6,375	3,960	1.50
208-25	1 5/8	40	80.0	49.2	21.0	19.0	30.2	8.0				1.43
208												1.41
UC 209-26	1 5/8		3.3465	1.9370	0.8661	0.7480	1.1890	0.3150	5/16-24UNF	7,110	4,460	1.72
209-27	1 11/16		85.0	49.2	22.0	19.0	30.2	8.0				1.63
209-28	1 3/4	45										1.54
209												1.50
UC 210-30	1 7/8		3.5433	2.0315	0.9449	0.7480	1.2835	0.3543	3/8-24UNF	7,400	4,910	1.92
210-31	1 9/16	50	90.0	51.6	24.0	19.0	32.6	9.0				1.81
210												1.76
210-32	2 S											1.66
UC 211-32	2		3.9370	2.1890	0.9843	0.8740	1.3150	0.3543	3/8-24UNF	9,490	6,440	2.78
211-34	2 1/8	55	100.0	55.6	25.0	22.2	33.4	9.0				2.54
211												2.45
211-35	2 3/16											2.40
UC 212-36	2 1/4		4.3307	2.5630	1.0630	1.0000	1.5630	0.4134	3/8-24UNF	11,500	7,940	3.68
212		60	110.0	65.1	27.0	25.4	39.7	10.5				3.40
212-38	2 5/8											3.34
212-39	2 7/8											3.20
UC 213-40	2 1/2		4.7244	2.5630	1.1024	1.0000	1.5630	0.4724	1/2-20UNF	12,400	8,760	4.28
213		65	120.0	65.1	28.0	25.4	39.7	12.0				4.10
UC 214-43	2 11/16		4.9210	2.9370	1.1811	1.1890	1.7480	0.4724	1/2-20UNF	13,530	9,620	4.60
214-44	2 3/4	70	125.0	74.6	30.0	30.2	44.4	12.0				4.54
214												4.52
UC 215-47	2 15/16		5.1181	3.0630	1.2598	1.3110	1.7520	0.4724	1/2-20UNF	14,620	10,540	5.02
215		75	130.0	77.8	32.0	33.3	44.5	12.0				4.87
215-48	3											4.67
UC 216		80	5.5118	3.2520	1.2992	1.3110	1.9410	0.5512	1/2-20UNF	16,000	11,700	6.15
			140	82.6	33	33.3	49.3	14				
UC 218-56	3 1/2		6.2992	3.7795	1.4961	1.5630	2.2165	0.5906	1/2-20UNF	21,120	15,700	9.83
218		90	160.0	96.0	38.0	39.7	56.3	15.0				9.59