

# UCTRS Take Up Units



## Narrow slot, standard duty with set screw lock.

- Cast iron housing
- Wide inner race bearing

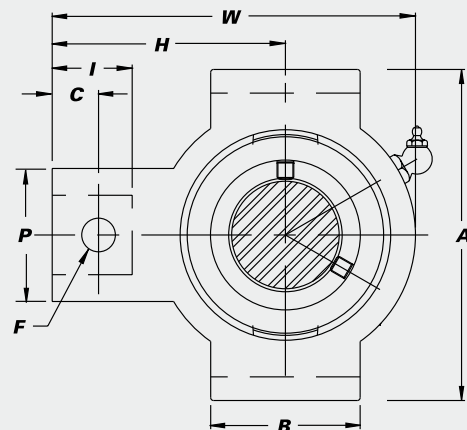
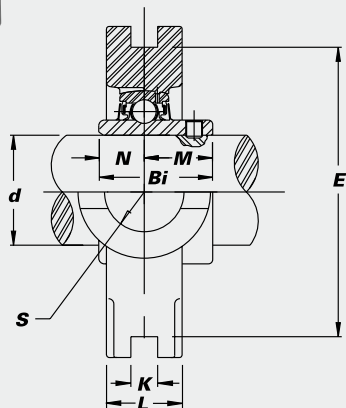
- B-type seals
- L3-type seals available in some sizes



B-type Seal



L3-type Seal



STANDARD PRODUCTS

Unit No.	Shaft Dia.		Dimensions (in./mm)															Bearing No.	Housing No.	Weight (lbs.)	
	d (in.)	d (mm)	I	C	P	S	B	k	E	A	W	L	F	H	Bi	N	M				
UCTRS 201		12																	UC 201		
201-8	1/2																		201-8		
202		15																	202		
202-10	5/8		7/8	7/16	1 3/8	3/4	1 1/2	1/4	2 5/8	3 1/8	3 1/2	3/4	5/16	2 3/16	1.2205	0.5000	0.7205		202-10	TRS 204	1.7
203		17																	203		
204-12	3/4																		204-12		
204		20																	204		
UCTRS 205-14	7/8																		UC 205-14		
205-15	15/16		7/8	7/16	1 3/8	3/4	1 1/2	1/4	2 5/8	3 1/8	3 9/16	7/8	5/16	2 3/16	1.3386	0.5630	0.7756		205-15		
205		25																	205	TRS 205	1.9
205-16	1																		205-16		
UCTRS 206-17	1 1/16																		UC 206-17		
206-18	1 1/8																		206-18		
206		30	15/16	1/2	1 3/8	7/8	2 1/2	5/16	3 1/2	4 1/8	4 5/16	15/16	5/16	2 11/16	1.5000	0.6260	0.8740		206	TRS 206	2.9
206-19	13/16																		206-19		
206-20	1 1/4 S																		206-20		
UCTRS 207-20	1 1/4																		UC 207-20		
207-21	1 3/16																		207-21		
207-22	1 3/8		15/16	1/2	1 3/8	7/8	2 1/2	5/16	3 1/2	4 1/8	4 1/2	1	5/16	2 11/16	1.6890	0.6890	1.0000		207-22	TRS 207	3.5
207		35																	207		
207-23	1 7/16																		207-23		
UCTRS 208-24	1 1/2																		UC 208-24		
208-25	1 3/16																		208-25		
208		40	1 5/32	2 1/32	1 5/8	1 1/8	3	5/16	4	4 3/4	5 3/8	1 3/16	3/8	3 3/4	1.9370	0.7480	1.1890		208	TRS 208	5.5