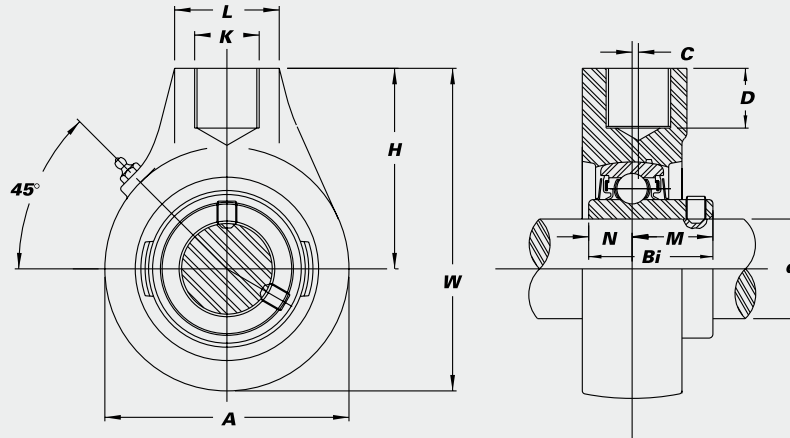


UCHA Hanger Units



Standard duty with set screw lock.

- Cast iron housing
- Wide inner race bearing
- Available with eccentric locking collar bearing
- B-type seals
- L3-type seals available in some sizes



Unit No.	Shaft Dia.		Dimensions (in.) (mm)										Bearing No.	Housing No.	Weight (lbs.)			
	d (in.)	d (mm)	A	W	C	H	L	D	K	Bi	N	M						
UCHA 201		12														UC 201		
201-8	1/2															201-8		
202		15														202		
202-10	5/8		2 ³³ / ₆₄	3 ²⁵ / ₃₂	0	2 ³³ / ₆₄	1 ⁹ / ₁₆	3/4	PF 3/4	1.2205	0.5000	0.7205				202-10	HA 204	1.7
203		17	64	96		64	40	19.1	-14	31.0	12.7	18.3				203		
204-12	3/4															204-12		
204		20														204		
UCHA 205-14	7/8															UC 205-14		
205-15	1 ⁵ / ₁₆		3 ¹ / ₁₆	4 ¹ / ₁₆	0	2 ³³ / ₆₄	1 ⁹ / ₁₆	3/4	PF 3/4	1.3386	0.5630	0.7756				205-15	HA 205	1.9
205		25	78	103		64	40	19.1	-14	34.0	14.3	19.7				205		
205-16	1															205-16		
UCHA 206-17	1 ¹ / ₁₆															UC 206-17		
206-18	1 ¹ / ₈		3 ⁵ / ₃₂	4 ³ / ₃₂	0	2 ³³ / ₆₄	1 ⁹ / ₁₆	3/4	PF 3/4	1.5000	0.6260	0.8740				206-18	HA 206	1.9
206		30	80	104		64	40	19.1	-14	38.1	15.9	22.2				206		
206-19	1 ³ / ₁₆															206-19		
206-20	1 ¹ / ₄ S															206-20		
UCHA 207-20	1 ¹ / ₄															UC 207-20		
207-21	1 ³ / ₁₆		3 ⁵ / ₈	4 ⁹ / ₁₆	0	2 ³ / ₄	1 ⁹ / ₁₆	3/4	PF 3/4	1.6890	0.6890	1.0000				207-21	HA 207	2.6
207-22	1 ³ / ₈		92	116		70	40	19.1	-14	42.9	17.5	25.4				207-22		
207		35														207		
207-23	1 ⁷ / ₁₆															207-23		
UCHA 208-24	1 ¹ / ₂		3 ¹⁵ / ₁₆	4 ²⁷ / ₃₂	5/64	2 ⁷ / ₈	1 ⁹ / ₁₆	3/4	PF 3/4	1.9370	0.7480	1.1890				UC 208-24		
208-25	1 ⁹ / ₁₆		100	123	2	73	40	19.1	-14	49.2	19.0	30.2				208-25	HA 208	3.4
208		40														208		
UCHA 209-26	1 ⁵ / ₈		4 ¹ / ₄	5 ¹¹ / ₃₂	1 ³ / ₆₄	3 ¹⁵ / ₆₄	1 ⁷ / ₈	1 ³ / ₁₆	PF 1	1.9370	0.7480	1.1890				UC 209-26		
209-27	1 ¹¹ / ₁₆		108	136	5	82	48	21	-11 ¹ / ₂	49.2	19.0	30.2				209-27	HA 209	3.9
209-28	1 ³ / ₄															209-28		
209		45														209		
UCHA 210-30	1 ⁷ / ₈		4 ²¹ / ₃₂	5 ¹⁹ / ₃₂	1 ³ / ₆₄	3 ¹⁷ / ₆₄	1 ⁷ / ₈	1 ³ / ₁₆	PF 1	2.0315	0.7480	1.2835				UC 210-30		
210-31	1 ¹⁵ / ₁₆		118	142	5	83	48	21	-11 ¹ / ₂	51.6	19.0	32.6				210-31	HA 210	4.6
210		50														210		
210-32	2S															210-32		
UCHA 211-34	2 ¹ / ₈		5 ¹⁹ / ₃₂	6 ¹³ / ₁₆	2 ³ / ₆₄	4 ¹ / ₆₄	2 ³ / ₈	1 ³ / ₃₂	PF 1 ¹ / ₄	2.5630	1.0000	1.5630				UC X11-34		
211		55	142	173	9	102	60	28	-11 ¹ / ₂	65.1	25.4	39.7				X11	HA 212	8.5
211-35	2 ³ / ₁₆															X11-35		
UCHA 212-36	2 ¹ / ₄		5 ¹⁹ / ₃₂	6 ¹³ / ₁₆	2 ³ / ₆₄	4 ¹ / ₆₄	2 ³ / ₈	1 ³ / ₃₂	PF 1 ¹ / ₄	2.5630	1.0000	1.5630				UC 212-36		
212		60	142	173	9	102	60	28	-11 ¹ / ₂	65.1	25.4	39.7				212	HA 212	8.2
212-38	2 ³ / ₈															212-38		
212-39	2 ¹ / ₁₆															212-39		
UCHA 214-43	2 ¹¹ / ₁₆		6 ¹⁷ / ₃₂	7 ⁷ / ₈	3/8	4 ³⁹ / ₆₄	2 ³ / ₄	1 ¹ / ₄	PF 1 ¹ / ₂	3.0630	1.3110	1.7520				UC X14-43		
214		70	166	200	9.5	117	70	32	-11 ¹ / ₂	77.8	33.3	44.5				X14	HA 215	13.2
UCHA 215-47	2 ¹⁵ / ₁₆		6 ¹⁷ / ₃₂	7 ⁷ / ₈	3/8	4 ³⁹ / ₆₄	2 ³ / ₄	1 ¹ / ₄	PF 1 ¹ / ₂	3.0630	1.3110	1.7520				UC 215-47		
215		75	166	200	9.5	117	70	32	-11 ¹ / ₂	77.8	33.3	44.5				215	HA 215	12.2
215-48	3															215-48		

Interchange Page 91