

UCFCX 4-Bolt Piloted Flange Units



Medium duty with set screw lock.

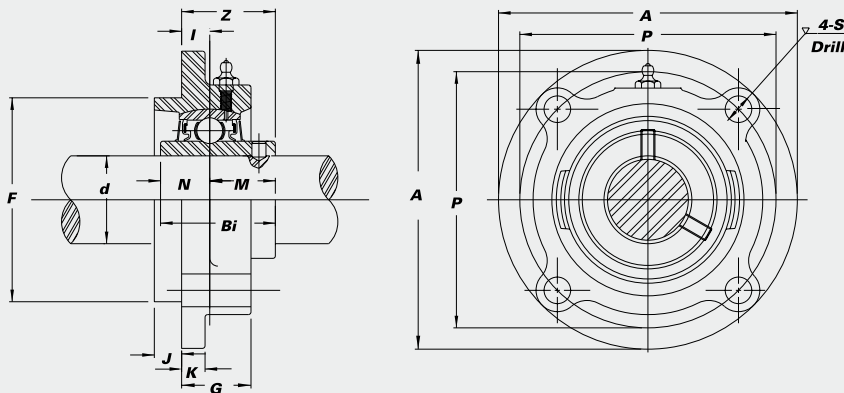
- Wide inner race bearing with greater load carrying capacity than standard duty
- B-type seals
L3-type seals available in some sizes



B-type Seal



L3-type Seal



Unit No.	Shaft Dia.		Dimensions (in.) (mm)											Bolt Used (in.)	Bearing No.	Housing No.	Weight (lbs.)	
	d (in.)	d (mm)	A	P	S	J	K	G	F	I	Z	Bi	N					M
UCFC X05-14 X05-15 X05-16	$\frac{7}{8}$ $\frac{15}{16}$ 1	25	$\frac{43}{8}$ 111	$\frac{35}{8}$ 92	$\frac{3}{8}$ 9.5	$\frac{15}{64}$ 6.0	$\frac{3}{8}$ 9.5	$\frac{15}{16}$ 24.0	3.000 76.2	$\frac{25}{64}$ 10	$\frac{19}{32}$ 32.2	1.5000 38.1	0.6260 15.9	0.8740 22.2	$\frac{5}{16}$	UC X05-14 X05-15 X05-16	FC X05	2.6
UCFC X06-18 X06-19 X06-20	$\frac{11}{16}$ $\frac{13}{16}$ $\frac{11}{4}$	30	5 127	$\frac{41}{8}$ 104.8	$\frac{15}{32}$ 12.0	$\frac{3}{8}$ 9.5	$\frac{3}{8}$ 9.5	$\frac{7}{8}$ 22.5	3.375 85.7	$\frac{5}{16}$ 8	$\frac{15}{16}$ 33.4	1.6890 42.9	0.6890 17.5	1.0000 25.4	$\frac{3}{8}$	UC X06-18 X06-19 207-20	FC X06	3.3
UCFC X07-22 X07-23	$\frac{13}{8}$ $\frac{17}{16}$	35	$\frac{51}{4}$ 133	$\frac{43}{8}$ 111	$\frac{15}{32}$ 12.0	$\frac{7}{16}$ 11.0	$\frac{7}{16}$ 11.0	$\frac{11}{32}$ 26.0	3.625 92.1	$\frac{23}{64}$ 9	$\frac{17}{32}$ 39.2	1.9370 49.2	0.7480 19.0	1.1890 30.2	$\frac{3}{8}$	UC X07-22 X07-23	FC X07	4.2
UCFC X08-24 X08	$\frac{11}{2}$	40	$\frac{51}{4}$ 133	$\frac{43}{8}$ 111	$\frac{15}{32}$ 12.0	$\frac{7}{16}$ 11.0	$\frac{7}{16}$ 11.0	$\frac{11}{32}$ 26.0	3.625 92.1	$\frac{23}{64}$ 9	$\frac{17}{32}$ 39.2	1.9370 49.2	0.7480 19.0	1.1890 30.2	$\frac{3}{8}$	UC X08-24 X08	FC X08	4.4
UCFC X09-26 X09-27 X09-28 X09	$\frac{15}{8}$ $\frac{111}{16}$ $\frac{13}{4}$	45	$\frac{63}{32}$ 155	$\frac{51}{8}$ 130	$\frac{35}{64}$ 14.0	$\frac{15}{32}$ 12.0	$\frac{7}{16}$ 11.0	1 25.0	4.250 108.0	$\frac{5}{16}$ 8	$\frac{19}{32}$ 40.6	2.0315 51.6	0.7480 19.0	1.2835 32.6	$\frac{7}{16}$	UC X09-26 X09-27 X09-28 X09	FC X09	5.7
UCFC X10-30 X10-31 X10-32	$\frac{17}{8}$ $\frac{151}{16}$ 2	50	$\frac{63}{8}$ 162	$\frac{53}{8}$ 136.5	$\frac{35}{64}$ 14.0	$\frac{5}{8}$ 16.0	$\frac{7}{16}$ 11.0	1 25.0	4.500 114.3	$\frac{9}{32}$ 7	$\frac{19}{32}$ 40.4	2.1890 55.6	0.8740 22.2	1.3150 33.4	$\frac{7}{16}$	UC X10-30 X10-31 X10-32	FC X10	7.0
UCFC X11-34 X11-35 X11-36	$\frac{21}{8}$ $\frac{23}{16}$ $\frac{21}{4}$	55	$\frac{73}{32}$ 180	6 152.4	$\frac{5}{8}$ 16.0	$\frac{55}{64}$ 22.0	$\frac{1}{2}$ 13.0	$\frac{11}{32}$ 26.0	5.000 127.0	$\frac{5}{32}$ 4	$\frac{123}{32}$ 43.7	2.5630 65.1	1.0000 25.4	1.5630 39.7	$\frac{1}{2}$	UC X11-34 X11-35 212-36	FC X11	9.5
UCFC X12 X12-38 X12-39	$\frac{23}{8}$ $\frac{23}{16}$	60	$\frac{75}{8}$ 194	$\frac{61}{2}$ 165	$\frac{5}{8}$ 16.0	$\frac{25}{32}$ 20.0	$\frac{9}{16}$ 14.0	$\frac{15}{16}$ 33.0	5.500 139.7	$\frac{7}{16}$ 11	2 50.7	2.5630 65.1	1.0000 25.4	1.5630 39.7	$\frac{1}{2}$	UC X12 X12-38 X12-39	FC X12	11.7
UCFC X13-40 X13	$\frac{21}{2}$	65	$\frac{75}{8}$ 194	$\frac{61}{2}$ 165	$\frac{5}{8}$ 16.0	$\frac{25}{32}$ 20.0	$\frac{9}{16}$ 14.0	$\frac{15}{16}$ 33.0	5.500 139.7	$\frac{7}{16}$ 11	$\frac{23}{16}$ 55.4	2.9370 74.6	1.1890 30.2	1.7480 44.4	$\frac{1}{2}$	UC X13-40 X13	FC X13	12.5
UCFC X15-47 X15-48	$\frac{215}{16}$ 3	75	$\frac{83}{4}$ 222	$\frac{71}{2}$ 190.5	$\frac{3}{4}$ 19.0	$\frac{55}{64}$ 22.0	$\frac{5}{8}$ 16.0	$\frac{13}{8}$ 35.0	6.375 161.9	$\frac{15}{32}$ 12	$\frac{213}{32}$ 61.3	3.2520 82.6	1.3110 33.3	1.9410 49.3	$\frac{5}{8}$	UC X15-47 X15-48	FC X15	17.6
UCFC X17 X17-55 X17-56	$\frac{31}{16}$ $\frac{31}{2}$	85	$\frac{101}{4}$ 260	$\frac{85}{8}$ 219	$\frac{29}{32}$ 23.0	$\frac{63}{64}$ 25.0	$\frac{3}{4}$ 19.0	$\frac{113}{32}$ 36.0	7.375 187.3	$\frac{25}{64}$ 10	$\frac{25}{8}$ 66.3	3.7795 96.0	1.5630 39.7	2.2165 56.3	$\frac{3}{4}$	UC X17 X17-55 218-56	FC X17	28.4
UCFC X20 X20-63 X20-64	$\frac{315}{16}$ 4	100	$\frac{107}{8}$ 276	$\frac{93}{8}$ 238	$\frac{29}{32}$ 23.0	$\frac{17}{64}$ 28.0	$\frac{7}{8}$ 22.0	$\frac{219}{32}$ 66.0	8.125 206.4	$\frac{55}{64}$ 22	$\frac{31}{16}$ 90.3	4.6260 117.5	1.9370 49.2	2.6890 68.3	$\frac{3}{4}$	UC X20 X20-63 X20-64	FC X20	40.0

Interchange Page 91