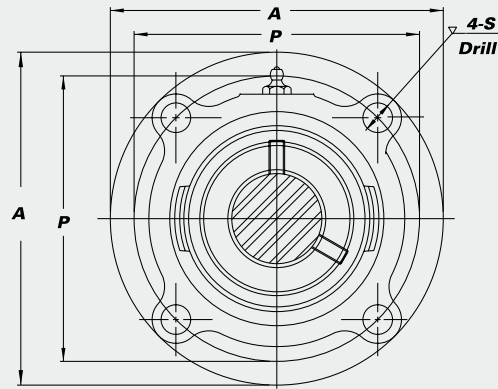
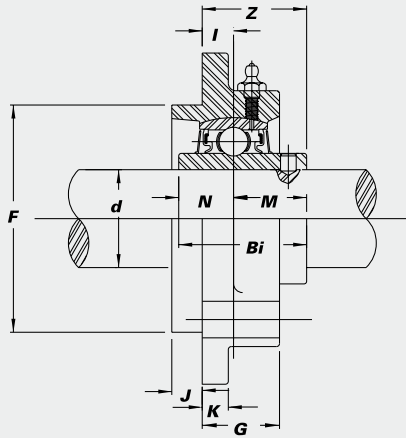


UCFCF 4-Bolt Piloted Flange Units



Standard duty with set screw lock.

- Cast iron housing
- Wide inner race bearing
- Available with eccentric locking collar bearing
- B-type seals
- L3-type seals available in some sizes



STANDARD PRODUCTS

Unit No.	Shaft Dia.		Dimensions											Bolt Used	Bearing No.	Housing No.	Weight (lbs.)		
	d (in.)	d (mm)	A	P	S	J	K	G	F	I	Z	Bi	N					M	
UCFCF 205-14	7/8																UC 205-14		
205-15	15/16								3.000	7/16	17/32	1.3386	0.5630	0.7756		5/16	205-15	FCF 205	2.6
205		25	4 3/8	3 5/8	13/32	1/4	3/8	55/64	76.2	11	31.0	34.0	14.3	19.7			205		
205-16	1																205-16		
UCFCF 206-17	1 1/16																UC 206-17		
206-18	1 1/8								3.375	19/64	1 11/64	1.5000	0.6260	0.8740		3/8	206-18	FCF 206	3.9
206		30	5	4 1/8	15/32	27/64	3/8	25/32	85.7	7.5	29.8	38.1	15.9	22.2			206		
206-19	1 3/16																206-19		
206-20	1 1/4 S																206-20		
UCFCF 207-20	1 1/4																UC 207-20		
207-21	1 5/16								3.625	9/32	1 9/32	1.6890	0.6890	1.0000		3/8	207-21	FCF 207	4.2
207-22	1 3/8								92.1	7	32.5	49.9	17.5	25.4			207-22		
207		35	5 1/4	4 3/8	15/32	15/32	1/2	7/8									207		
207-23	1 7/16																207-23		
UCFCF 208-24	1 1/2																UC 208-24		
208-25	1 9/16								3.625	3/8	1 9/16	1.9370	0.7480	1.1890		3/8	208-24	FCF 208	4.6
208		40	5 1/4	4 3/8	15/32	15/32	1/2	1 1/32	92.1	9.5	39.7	49.2	19.0	30.2			208		
UCFCF 209-26	1 5/8																UC 209-26		
209-27	1 11/16								4.250	7/32	1 13/32	1.9370	0.7480	1.1890		7/16	209-27	FCF 209	6.2
209-28	1 3/4								108.0	5.5	35.7	49.2	19.0	30.2			209-28		
209		45	6 1/8	5 1/8	17/32	15/32	29/64	7/8									209		
UCFCF 210-30	1 7/8																UC 210-30		
210-31	1 15/16								4.500	1 1/32	1 5/8	2.0315	0.7480	1.2835		7/16	210-31	FCF 210	7.0
210		50	6 3/8	5 3/8	17/32	5/8	1/2	1 1/16	114.3	9	41.3	51.6	19.0	32.6			210		
210-32	2 S																210-32		
UCFCF 211-32	2																UC 211-32		
211-34	2 1/8								5.000	7/32	1 11/32	2.1890	0.8740	1.3150		1/2	211-34	FCF 211	9.1
211		55	7 1/8	6	19/32	7/8	1/2	7/8	127.0	5.5	38.9	55.6	22.2	33.4			211		
211-35	2 3/16																211-35		

Interchange Page 91