

# UCFC 4-Bolt Piloted Flange Units



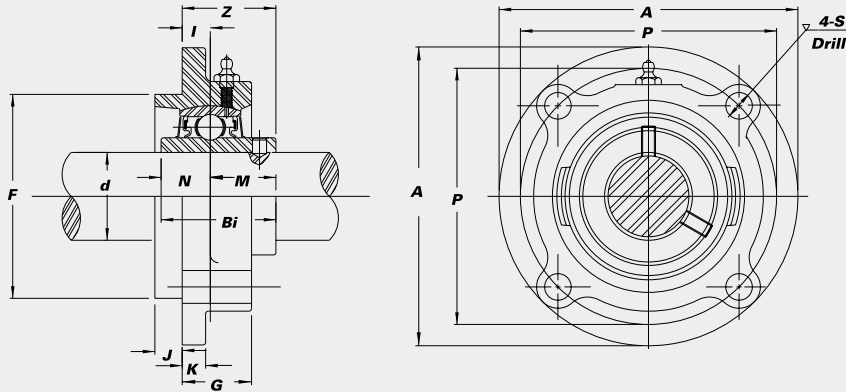
B-type Seal



L3-type Seal

## Standard duty with set screw lock.

- Cast iron housing
- Wide inner race bearing
- Available with eccentric locking collar bearing
- B-type seals
- L3-type seals available in some sizes



Unit No.	Shaft Dia.		Dimensions (in.) (mm)											Bolt Used (in.) (mm)	Bearing No.	Housing Weight (lbs.)				
	d (in.)	d (mm)	A	P	S	J	K	G	F	I	Z	Bi	N				M			
UCFC 201		12																UC 201		
201-8	1/2																	201-8		
202		15	3 <sup>15</sup> / <sub>16</sub>	3 <sup>5</sup> / <sub>16</sub>	1 <sup>5</sup> / <sub>32</sub>	3 <sup>1</sup> / <sub>16</sub>	9 <sup>1</sup> / <sub>32</sub>	1 <sup>3</sup> / <sub>16</sub>	2.4409	2 <sup>5</sup> / <sub>64</sub>	1 <sup>7</sup> / <sub>64</sub>	1.2205	0.5000	0.7205	-	M10	202	FC 204	2.0	
202-10	5/8		100	78	12	5	7	20.5		10	28.3	31.0	12.7	18.3			202-10			
203		17															203			
204-12	3/4																204-12			
204		20															204			
UCFC 205-14	7/8																	UC 205-14		
205-15	1 <sup>5</sup> / <sub>16</sub>																	205-15	FC 205	2.4
205		25	4 <sup>1</sup> / <sub>2</sub>	3 <sup>25</sup> / <sub>64</sub>	1 <sup>5</sup> / <sub>32</sub>	1 <sup>5</sup> / <sub>16</sub>	9 <sup>1</sup> / <sub>32</sub>	1 <sup>3</sup> / <sub>16</sub>	2.7559	2 <sup>5</sup> / <sub>64</sub>	1 <sup>11</sup> / <sub>64</sub>	1.3386	0.5630	0.7756	-	M10	205			
205-16	1		115	90	12	6	7	21	70.0	10	29.7	34.0	14.3	19.7			205-16			
UCFC 206-17	1 <sup>1</sup> / <sub>16</sub>																	UC 206-17		
206-18	1 <sup>1</sup> / <sub>8</sub>																	206-18	FC 206	3.3
206		30	4 <sup>15</sup> / <sub>16</sub>	3 <sup>15</sup> / <sub>16</sub>	1 <sup>5</sup> / <sub>32</sub>	5 <sup>1</sup> / <sub>16</sub>	5 <sup>1</sup> / <sub>16</sub>	2 <sup>9</sup> / <sub>32</sub>	3.1496	2 <sup>5</sup> / <sub>64</sub>	1 <sup>17</sup> / <sub>64</sub>	1.5000	0.6260	0.8740	-	M10	206			
206-19	1 <sup>3</sup> / <sub>16</sub>		125	100	12	8	8	23	80.0	10	32.2	38.1	15.9	22.2			206-19			
206-20	1 <sup>1</sup> / <sub>4</sub> S																206-20			
UCFC 207-20	1 <sup>1</sup> / <sub>4</sub>																	UC 207-20		
207-21	1 <sup>5</sup> / <sub>16</sub>																	207-21	FC 207	3.7
207-22	1 <sup>3</sup> / <sub>8</sub>																	207-22		
207		35	5 <sup>5</sup> / <sub>16</sub>	4 <sup>21</sup> / <sub>64</sub>	3 <sup>5</sup> / <sub>64</sub>	5 <sup>1</sup> / <sub>16</sub>	1 <sup>11</sup> / <sub>32</sub>	1 <sup>1</sup> / <sub>32</sub>	3.5433	7 <sup>1</sup> / <sub>16</sub>	1 <sup>17</sup> / <sub>16</sub>	1.6890	0.6890	1.0000	1/2	M12	207			
207-23	1 <sup>1</sup> / <sub>16</sub>		135	110	14	8	9	26	90.0	11	36.4	42.9	17.5	25.4			207-23			
UCFC 208-24	1 <sup>1</sup> / <sub>2</sub>																	UC 208-24		
208-25	1 <sup>9</sup> / <sub>16</sub>																	208-25	FC 208	4.6
208		40	5 <sup>11</sup> / <sub>16</sub>	4 <sup>23</sup> / <sub>32</sub>	3 <sup>5</sup> / <sub>64</sub>	1 <sup>3</sup> / <sub>32</sub>	1 <sup>11</sup> / <sub>32</sub>	1 <sup>1</sup> / <sub>32</sub>	3.9370	7 <sup>1</sup> / <sub>16</sub>	1 <sup>5</sup> / <sub>8</sub>	1.9370	0.7480	1.1890	1/2	M12	208			
UCFC 209-26	1 <sup>5</sup> / <sub>8</sub>																	UC 209-26		
209-27	1 <sup>11</sup> / <sub>16</sub>																	209-27	FC 209	6.6
209-28	1 <sup>3</sup> / <sub>4</sub>																	209-28		
209		45	6 <sup>5</sup> / <sub>16</sub>	5 <sup>13</sup> / <sub>64</sub>	5 <sup>8</sup> / <sub>16</sub>	1 <sup>5</sup> / <sub>32</sub>	3 <sup>5</sup> / <sub>64</sub>	1 <sup>1</sup> / <sub>32</sub>	4.1339	2 <sup>5</sup> / <sub>64</sub>	1 <sup>37</sup> / <sub>64</sub>	1.9370	0.7480	1.1890	9/16	M14	209			
UCFC 210-30	1 <sup>7</sup> / <sub>8</sub>																	UC 210-30		
210-31	1 <sup>15</sup> / <sub>16</sub>																	210-31	FC 210	6.8
210		50	6 <sup>1</sup> / <sub>2</sub>	5 <sup>7</sup> / <sub>16</sub>	5 <sup>8</sup> / <sub>16</sub>	1 <sup>5</sup> / <sub>32</sub>	3 <sup>5</sup> / <sub>64</sub>	1 <sup>3</sup> / <sub>32</sub>	4.3307	2 <sup>5</sup> / <sub>64</sub>	1 <sup>43</sup> / <sub>64</sub>	2.0315	0.7480	1.2835	9/16	M14	210			
210-32	2S		165	138	16	12	14	28	110.0	10	42.6	51.6	19.0	32.6			210-32			
UCFC 211-32	2																	UC 211-32		
211-34	2 <sup>1</sup> / <sub>8</sub>																	211-34	FC 211	8.6
211		55	7 <sup>5</sup> / <sub>16</sub>	5 <sup>29</sup> / <sub>32</sub>	3 <sup>4</sup> / <sub>16</sub>	1 <sup>5</sup> / <sub>32</sub>	1 <sup>9</sup> / <sub>32</sub>	1 <sup>7</sup> / <sub>32</sub>	4.9213	1 <sup>1</sup> / <sub>2</sub>	1 <sup>53</sup> / <sub>64</sub>	2.1890	0.8740	1.3150	1 <sup>1</sup> / <sub>16</sub>	M16	211			
211-35	2 <sup>3</sup> / <sub>16</sub>		185	150	19	12	15	31	125.0	13	46.4	55.6	22.2	33.4			211-35			
UCFC 212-36	2 <sup>1</sup> / <sub>4</sub>																	UC 212-36		
212		60	7 <sup>11</sup> / <sub>16</sub>	6 <sup>19</sup> / <sub>64</sub>	3 <sup>4</sup> / <sub>16</sub>	1 <sup>5</sup> / <sub>32</sub>	1 <sup>9</sup> / <sub>32</sub>	1 <sup>27</sup> / <sub>64</sub>	5.3150	4 <sup>3</sup> / <sub>64</sub>	2 <sup>15</sup> / <sub>64</sub>	2.5630	1.0000	1.5630	1 <sup>1</sup> / <sub>16</sub>	M16	212	FC 212	9.7	
212-38	2 <sup>3</sup> / <sub>8</sub>		195	160	19	12	15	36	135.0	17	56.7	65.1	25.4	39.7			212-38			
212-39	2 <sup>1</sup> / <sub>16</sub>																212-39			
UCFC 213-40	2 <sup>1</sup> / <sub>2</sub>																	UC 213-40		
213		65	8 <sup>1</sup> / <sub>16</sub>	6 <sup>11</sup> / <sub>16</sub>	3 <sup>4</sup> / <sub>16</sub>	3 <sup>5</sup> / <sub>64</sub>	1 <sup>9</sup> / <sub>32</sub>	1 <sup>27</sup> / <sub>64</sub>	5.7087	5 <sup>8</sup> / <sub>16</sub>	2 <sup>3</sup> / <sub>16</sub>	2.5630	1.0000	1.5630	1 <sup>1</sup> / <sub>16</sub>	M16	213	FC 213	11.7	
UCFC 214-43	2 <sup>11</sup> / <sub>16</sub>																	UC 214-43		
214-44	2 <sup>3</sup> / <sub>4</sub>																	214-44	FC 214	15.0
214		70	8 <sup>15</sup> / <sub>32</sub>	6 <sup>31</sup> / <sub>32</sub>	3 <sup>4</sup> / <sub>16</sub>	3 <sup>5</sup> / <sub>64</sub>	2 <sup>3</sup> / <sub>32</sub>	1 <sup>37</sup> / <sub>64</sub>	5.9055	4 <sup>3</sup> / <sub>64</sub>	2 <sup>27</sup> / <sub>64</sub>	2.9370	1.1890	1.7480	1 <sup>1</sup> / <sub>16</sub>	M16	214			
UCFC 215-47	2 <sup>15</sup> / <sub>16</sub>																	UC 215-47		
215		75	8 <sup>21</sup> / <sub>32</sub>	7 <sup>1</sup> / <sub>4</sub>	3 <sup>4</sup> / <sub>16</sub>	5 <sup>8</sup> / <sub>16</sub>	2 <sup>3</sup> / <sub>32</sub>	1 <sup>37</sup> / <sub>64</sub>	6.2992	4 <sup>5</sup> / <sub>64</sub>	2 <sup>15</sup> / <sub>32</sub>	3.0630	1.3110	1.7520	1 <sup>1</sup> / <sub>16</sub>	M16	215	FC 215	16.3	
215-48	3		220	184	19	16	18	40	160.0	18	62.5	77.8	33.3	44.5			215-48			