

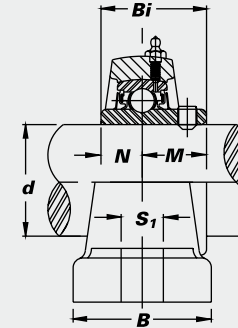
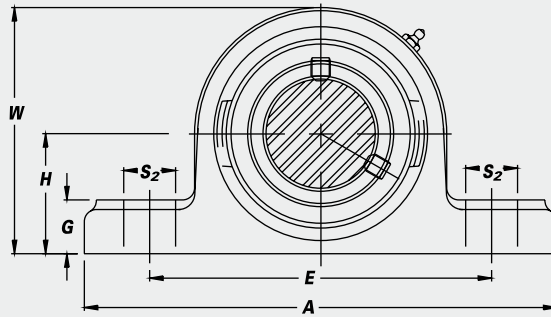
SUCSP Pillow Blocks



B-type seals

All Stainless Steel

- B-type seals
- Sizes 1/2" - 1 1/2" available with end caps — "Cap Ready"



CORROSION RESISTANT

Unit No.	Shaft Dia.		Dimensions (in. / mm)										Bolt Used (in.)	Bearing No.	Housing No.	Weight (lbs.)	
	d (in.)	d (mm)	H	A	E	B	S ₂	S ₁	G	W	Bi	N					M
SUCSP 201-8 202-10	1/2 5/8	12.7 15.9	1 1/16 33.3	5 127	3 3/4 95	1 1/2 38	1 1/16 17	7/16 11	1 9/32 15	2 9/16 65	1.2205 31.0	0.5000 12.7	0.7205 18.3	3/8	SUC 201-8 202-10	SP 204	1.8
SUCSP 204-12 204	3/4 20	19.1 508	1 9/16 33.3	5 127	3 3/4 95	1 1/2 38	1 1/16 17	7/16 11	1 9/32 15	2 9/16 65	1.2205 31.0	0.5000 12.7	0.7205 18.3	3/8	SUC 204-12 204	SP 204	1.6
SUCSP 205-14 205 205-16	7/8 1	22.2 25.4	1 7/16 36.5	5 15/32 139	4 1/8 105	1 1/2 38	1 1/16 17	1/2 13	5/8 16	2 3/4 70	1.3386 34.0	0.5630 14.3	0.7756 19.7	3/8	SUC 205-14 205 205-16	SP 205	2.1
SUCSP 206-18 206 206-19 206-20	1 1/8 1 3/16 1 1/4 S	30.2 42.9 38.1	1 11/16 42.9	6 13/32 163	4 3/4 121	1 27/32 47	1 3/16 21	9/16 14	1 1/16 18	3 19/64 84	1.5000 38.1	0.6260 15.9	0.8740 22.2	1/2	SUC 206-18 206 206-19 206-20	SP 206	3.3
SUCSP 207-20 207-21 207-22 207 207-23	1 1/4 1 5/16 1 3/8 1 7/16	35.4 47.6 44.5 41.3	1 7/8 47.6	6 17/32 166	5 127	1 29/32 48	7/8 22	9/16 14	3/4 19	3 11/16 94	1.6890 42.9	0.6890 17.5	1.0000 25.4	1/2	SUC 207-20 207-21 207-22 207 207-23	SP 207	4.2
SUCSP 208-24 208	1 1/2 40	38.1 1016	1 15/16 49.2	7 1/4 184	5 3/8 136	2 51	7/8 22	9/16 14	2 5/32 20	3 15/16 100	1.9370 49.2	0.7480 19.0	1.1890 30.2	1/2	SUC 208-24 208	SP 208	5.4
SUCSP 209-27 209-28 209	1 11/16 1 3/4 45	45.1 127 113	2 1/8 54.0	7 1/2 190	5 3/4 146	2 1/16 52	1 3/16 21	1 9/32 15	2 5/32 20	4 7/32 107	1.9370 49.2	0.7480 19.0	1.1890 30.2	1/2	SUC 209-27 209-28 209	SP 209	5.8
SUCSP 210-31 210 210-32	1 15/16 2 S	50.8 50.8	2 1/4 57.2	8 203	6 1/4 159	2 5/16 59	1 5/16 24	2 3/32 18	7/8 22	4 1/2 114	2.0315 51.6	0.7480 19.0	1.2835 32.6	5/8	SUC 210-31 210 210-32	SP 210	7.0
SUCSP 211-32 211-35	2 2 9/16	50.8 63.5	2 1/2 63.5	8 17/32 217	6 7/8 174	2 5/8 60	1 5/16 24	2 3/32 18	7/8 22	4 15/16 125	2.1890 55.6	0.8740 22.2	1.3150 33.4	5/8	SUC 211-32 211-35	SP 211	8.8
SUCSP 212-39	2 7/16	66.7	2 3/4 69.8	9 15/32 240	7 11/32 187	2 1/2 64	1 25	2 5/32 20	1 25	5 3/8 137	2.5630 65.1	1.0000 25.4	1.5630 39.7	5/8	SUC 212-39	SP 212	11.2

*Cap Ready mounted units include a specially grooved housing and a plastic end cap.