

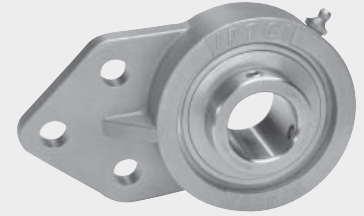
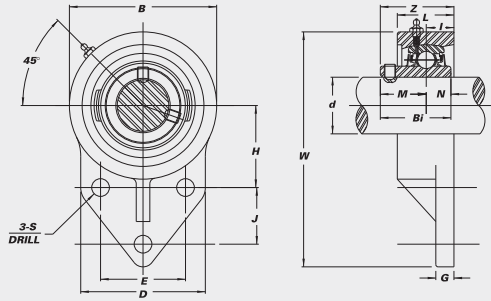
SUCSFB

SUCSFB 3-Bolt Flange Bracket Units All Stainless Steel

- B-type seals



B-type Seal



Unit No.	Shaft Dia.		Dimensions (in.)													Bolt Used	Bearing No.	Housing No.	Weight (lbs.)	
	<i>d</i>	<i>d</i>	<i>W</i>	<i>B</i>	<i>D</i>	<i>L</i>	<i>S</i>	<i>G</i>	<i>H</i>	<i>J</i>	<i>E</i>	<i>I</i>	<i>Z</i>	<i>Bi</i>	<i>N</i>					<i>M</i>
	(in.)	(mm)															(in.)			
SUCSFB 201-8 202-10	1/2 5/8		4 1/4 108	2 1/2 64	2 3/8 60	1 25	25/64 9.9	5/16 8	1 11/16 43.3	7/8 22.2	1 1/2 38.1	5/8 16	1 23/64 34.3	1.2205 31.0	0.5000 12.7	0.7205 18.3	5/16	SUC 201-8 202-10	SFB 204	1.4
SUCSFB 204-12 204	3/4	20	4 1/4 108	2 1/2 64	2 3/8 60	1 25	25/64 9.9	5/16 8	1 11/16 43.3	7/8 22.2	1 1/2 38.1	5/8 16	1 23/64 34.3	1.2205 31.0	0.5000 12.7	0.7205 18.3	5/16	SUC 204-12 204	SFB 204	1.3
SUCSFB 205-14 205 205-16	7/8 1	25	4 3/4 121	2 3/4 70	2 1/2 64	1 1/8 29	25/64 9.9	3/8 9.5	1 13/16 46.0	1 1/8 28.6	1 5/8 41.3	2 1/32 16.5	1 27/64 36.2	1.3386 34.0	0.5630 14.3	0.7756 19.7	5/16	SUC 205-14 205 205-16	SFB 205	1.9
SUCSFB 206-18 206 206-19 206-20	1 1/8 1 3/16 1 1/4 S	30	5 3/8 137	3 1/4 83	2 3/4 70	1 1/4 32	25/64 9.9	3/8 9.5	2 1/16 52.4	1 1/4 31.8	1 7/8 47.6	45/64 18	1 37/64 40.2	1.5000 38.1	0.6260 15.9	0.8740 22.2	5/16	SUC 206-18 206 206-19 206-20	SFB 206	2.4
SUCSFB 207-20 207-21 207-22 207 207-23	1 1/4 1 5/16 1 3/8 1 7/16	35	6 1/8 156	3 3/4 95	3 1/4 83	1 7/16 37	34/64 13.1	1/2 13	2 3/8 60.3	1 1/4 31.8	2 50.8	53/64 21	1 53/64 46.4	1.6890 42.9	0.6890 17.5	1.0000 25.4	7/16	SUC 207-20 207-21 207-22 207 207-23	SFB 207	3.8
SUCSFB 210-31 210 210-32	1 15/16 2 S	50	7 1/2 191	4 5/8 118	4 102	1 1/2 38	33/64 13.1	1/2 13	2 15/16 74.6	1 5/8 41.3	2 3/4 69.9	53/64 21	2 5/32 54.6	2.0315 51.6	0.7480 19.0	1.2835 32.6	7/16	SUC 210-31 210 210-32	SFB 210	6.0

CORROSION RESISTANT