

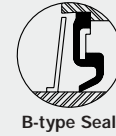
# Nickel Plated Pillow Blocks



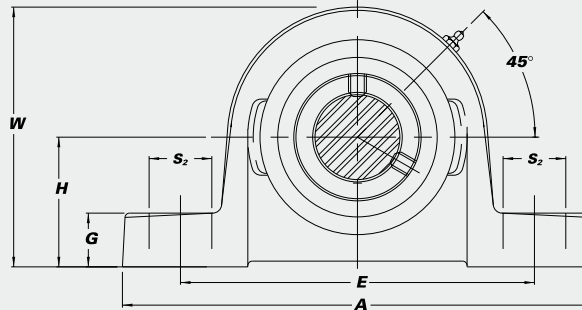
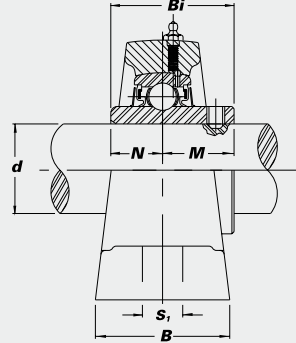
With optional bearing inserts:  
**Stainless Steel-SUCNPP**  
**Hard Chrome Coated-CUCNPP**

- High shaft height
- B-type seals

- Overview of corrosion resistant products – pg. 52



B-type Seal



CORROSION RESISTANT

Unit No.	Shaft Dia.		Dimensions (in.) (mm)										Bolt Used (in.)	Bearing No.	Housing No.	Weight (lbs.)
	d (in.)	d (mm)	H	A	E	B	S <sub>2</sub>	S <sub>1</sub>	G	W	Bi	N				

## SUCNPP with Stainless Steel Bearing Inserts

SUCNPP 201-8 202-10 204-12 204	1/2 5/8 3/4 20	19/16 33.3	5 127	3 3/4 95	1 1/2 38	1 1/16 17	7/16 11	9/16 14	2 19/32 66	1.2205 31.0	0.5000 12.7	0.7205 18.3	3/8	SUC 201-8 202-10 204-12 204	NPP 204	1.6
SUCNPP 205-14 205 205-16	7/8 1 25	17/16 36.5	5 1/2 140	4 1/8 105	1 1/2 38	1 1/16 17	1/2 13	5/8 16	2 27/32 72	1.3386 34.0	0.5630 14.3	0.7756 19.7	3/8	SUC 205-14 205 205-16	NPP 205	2.0
SUCNPP 206-18 206 206-19 206-20	1 1/8 1 3/16 1 1/4 S	1 11/16 *1 42.9	6 5/16 160	4 3/4 121	1 3/4 44	1 3/16 21	9/16 14	1 1/16 18	3 3/64 84	1.5000 38.1	0.6260 15.9	0.8740 22.2	1/2	SUC 206-18 206 206-19 206-20	NPP 206	3.0
SUCNPP 207-20 207-21 207-22 207 207-23	1 1/4 1 5/16 1 3/8 1 7/16	1 7/8 47.6	6 17/32 166	5 127	1 29/32 48	7/8 22	9/16 14	3/4 19	3 11/16 94	1.6890 42.9	0.6890 17.5	1.0000 25.4	1/2	SUC 207-20 207-21 207-22 207 207-23	NPP 207	4.0
SUCNPP 208-24 208	1 1/2 40	1 15/16 *2 49.2	7 1/8 181	5 7/16 137	2 51	7/8 22	9/16 14	1 3/16 21	4 102	1.9370 49.2	0.7480 19.0	1.1890 30.2	1/2	SUC 208-24 208	NPP 208	5.0
SUCNPP 209-27 209-28 209	1 11/16 1 3/4 45	2 1/8 54.0	7 1/2 190	5 3/4 146	2 1/8 54	1 3/16 21	19/32 15	7/8 22	4 17/64 109	1.9370 49.2	0.7480 19.0	1.1890 30.2	1/2	SUC 209-27 209-28 209	NPP 209	5.7
SUCNPP 210-31 210 210-32	1 15/16 2 S	2 1/4 57.2	8 203	6 1/4 159	2 1/4 57	1 5/16 24	2 3/32 18	1 5/16 24	4 33/64 115	2.0315 51.6	0.7480 19.0	1.2835 32.6	5/8	SUC 210-31 210 210-32	NPP 210	6.8
SUCNPP 211-32 211-35	2 2 3/16	2 1/2 63.5	8 5/8 220	6 7/8 174	2 3/8 60	1 5/16 24	2 3/32 18	1 11/16 27	5 1/32 128	2.1890 55.6	0.8740 22.2	1.3150 33.4	5/8	SUC 211-32 211-35	NPP 211	8.8
SUCNPP 212-39	2 7/16	2 3/4 69.8	9 17/32 242	7 11/32 187	2 1/2 64	1 25.4	2 5/32 20	1 11/16 27	5 33/64 140	2.5630 65.1	1.0000 25.4	1.5630 39.7	5/8	SUC 212-39	NPP 212	11.2

## CUCNPP with Hard Chrome Coated Bearing Inserts

CUCNPP 204-12 204	3/4 20	1 9/16 33.3	5 127	3 3/4 95	1 1/2 38	1 1/16 17	7/16 11	9/16 14	2 19/32 66	1.2205 31.0	0.5000 12.7	0.7205 18.3	3/8	CUC 204-12 204	NPP 204	1.6
CUCNPP 205-14 205 205-16	7/8 1 25	1 7/16 36.5	5 1/2 140	4 1/8 105	1 1/2 38	1 1/16 17	1/2 13	5/8 16	2 27/32 72	1.3386 34.0	0.5630 14.3	0.7756 19.7	3/8	CUC 205-14 205 205-16	NPP 205	2.0
CUCNPP 206-18 206 206-19 206-20	1 1/8 1 3/16 1 1/4 S	1 11/16 *1 42.9	6 5/16 160	4 3/4 121	1 3/4 44	1 3/16 21	9/16 14	1 1/16 18	3 3/64 84	1.5000 38.1	0.6260 15.9	0.8740 22.2	1/2	CUC 206-18 206 206-19 206-20	NPP 206	3.0
CUCNPP 207-20 207-22 207 207-23	1 1/4 1 5/8 1 7/16	1 7/8 47.6	6 17/32 166	5 127	1 29/32 48	7/8 22	9/16 14	3/4 19	3 11/16 94	1.6890 42.9	0.6890 17.5	1.0000 25.4	1/2	CUC 207-20 207-22 207 207-23	NPP 207	4.0
CUCNPP 208-24 208	1 1/2 40	1 15/16 *2 49.2	7 1/8 181	5 7/16 137	2 51	7/8 22	9/16 14	1 3/16 21	4 102	1.9370 49.2	0.7480 19.0	1.1890 30.2	1/2	CUC 208-24 208	NPP 208	5.0

\*1 Also available 1 5/16"

\*2 Also available 2 1/8"