

# Nickel Plated Hanger Units



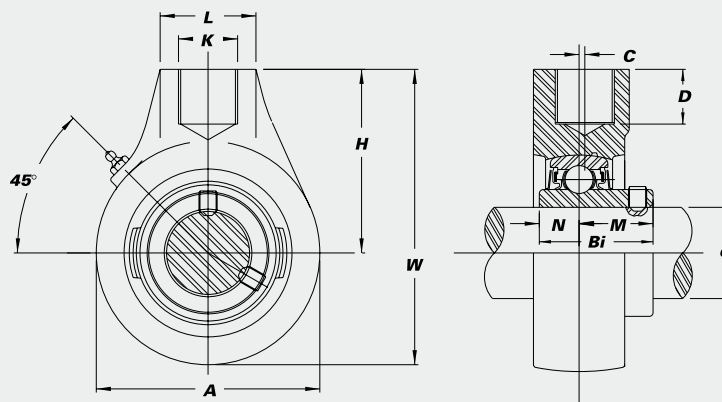
With optional bearing inserts:  
**Stainless Steel-SUCNPHA**  
**Hard Chrome Coated-CUCNPHA**

• B-type Seals

• Overview of corrosion resistant products – pg. 52



B-type Seal



CORROSION RESISTANT

Unit No.	Shaft Dia.		Dimensions (in.) (mm)									Bearing No.	Housing No.	Weight (lbs.)
	d	(in.) (mm)	A	W	C	H	L	D	K	Bi	N			

## SUCNPHA with Stainless Steel Bearing Inserts

SUCNPHA 201-8	1/2												SUC 201-8		
202-10	5/8	2 <sup>33/64</sup>	3 <sup>25/32</sup>	0	2 <sup>33/64</sup>	1 <sup>9/16</sup>	3/4	PF 3/4	1.2205	0.5000	0.7205		202-10		
204-12	3/4	64	96		64	40	19.1	-14	31.0	12.7	18.3		204-12	NPHA 204	1.7
204	20												204		
SUCNPHA 205-14	7/8												SUC 205-14		
205	25	3 <sup>1/16</sup>	4 <sup>1/16</sup>	0	2 <sup>33/64</sup>	1 <sup>9/16</sup>	3/4	PF 3/4	1.3386	0.5630	0.7756		205	NPHA 205	1.9
205-16	1	78	103		64	40	19.1	-14	34.0	14.3	19.7		205-16		
SUCNPHA 206-18	1 1/8												SUC 206-18		
206	30	3 <sup>5/32</sup>	4 <sup>3/32</sup>	0	2 <sup>33/64</sup>	1 <sup>9/16</sup>	3/4	PF 3/4	1.5000	0.6260	0.8740		206	NPHA 206	1.9
206-19	1 3/16	80	104		64	40	19.1	-14	38.1	15.9	22.2		206-19		
206-20	1 1/4 S												206-20		
SUCNPHA 207-20	1 1/4												SUC 207-20		
207-21	1 5/16												207-21		
207-22	1 3/8	3 <sup>5/8</sup>	4 <sup>9/16</sup>	0	2 <sup>3/4</sup>	1 <sup>9/16</sup>	3/4	PF 3/4	1.6890	0.6890	1.0000		207-22	NPHA 207	2.6
207	35	92	116		70	40	19.1	-14	42.9	17.5	25.4		207		
207-23	1 7/16												207-23		
SUCNPHA 208-24	1 1/2												SUC 208-24		
208	40	3 <sup>15/16</sup>	4 <sup>27/32</sup>	5/64	2 <sup>7/8</sup>	1 <sup>9/16</sup>	3/4	PF 3/4	1.9370	0.7480	1.1890		208	NPHA 208	3.4
SUCNPHA 209-27	1 11/16												SUC 209-27		
209-28	1 3/4	4 <sup>1/4</sup>	5 <sup>11/32</sup>	13/64	3 <sup>15/64</sup>	1 <sup>7/8</sup>	13/16	PF 1	1.9370	0.7480	1.1890		209-28	NPHA 209	3.9
209	45	108	136	5	82	48	21	-11 1/2	49.2	19.0	30.2		209		
SUCNPHA 210-31	1 15/16												SUC 210-31		
210	50	4 <sup>21/32</sup>	5 <sup>19/32</sup>	13/64	3 <sup>17/64</sup>	1 <sup>7/8</sup>	13/16	PF 1	2.0315	0.7480	1.2835		210	NPHA 210	4.6
210-32	2 S	118	142	5	83	48	21	-11 1/2	51.6	19.0	32.6		210-32		
SUCNPHA 212-39	2 7/16												SUC 212-39		
		5 <sup>19/32</sup>	6 <sup>13/16</sup>	23/64	4 <sup>1/64</sup>	2 <sup>3/8</sup>	1 <sup>3/32</sup>	PF 1 1/4	2.5630	1.0000	1.5630		212-39	NPHA 212	8.2
		142	173	9	102	60	28	-11 1/2	65.1	25.4	39.7				

## CUCNPHA with Hard Chrome Coated Bearing Inserts

CUCNPHA 204-12	3/4												CUC 204-12		
204	20	2 <sup>33/64</sup>	3 <sup>25/32</sup>	0	2 <sup>33/64</sup>	1 <sup>9/16</sup>	3/4	PF 3/4	1.2205	0.5000	0.7205		204	NPHA 204	1.7
CUCNPHA 205-14	7/8												CUC 205-14		
205	25	3 <sup>1/16</sup>	4 <sup>1/16</sup>	0	2 <sup>33/64</sup>	1 <sup>9/16</sup>	3/4	PF 3/4	1.3386	0.5630	0.7756		205	NPHA 205	1.9
205-16	1	78	103		64	40	19.1	-14	34.0	14.3	19.7		205-16		
CUCNPHA 206-18	1 1/8												CUC 206-18		
206	30	3 <sup>5/32</sup>	4 <sup>3/32</sup>	0	2 <sup>33/64</sup>	1 <sup>9/16</sup>	3/4	PF 3/4	1.5000	0.6260	0.8740		206	NPHA 206	1.9
206-19	1 3/16	80	104		64	40	19.1	-14	38.1	15.9	22.2		206-19		
206-20	1 1/4 S												206-20		
CUCNPHA 207-20	1 1/4												CUC 207-20		
207-22	1 3/8												207-22		
207	35	3 <sup>5/8</sup>	4 <sup>9/16</sup>	0	2 <sup>3/4</sup>	1 <sup>9/16</sup>	3/4	PF 3/4	1.6890	0.6890	1.0000		207	NPHA 207	2.6
207-23	1 7/16												207-23		
CUCNPHA 208-24	1 1/2												CUC 208-24		
208	40	3 <sup>15/16</sup>	4 <sup>27/32</sup>	5/64	2 <sup>7/8</sup>	1 <sup>9/16</sup>	3/4	PF 3/4	1.9370	0.7480	1.1890		208	NPHA 208	3.4