

SUC Stainless Steel Bearing Inserts

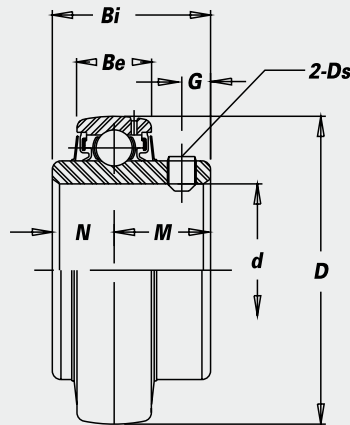


Set Screw Lock

Balls & Rings 440 Stainless Steel
 Seal Silicone Rubber
 Seal Frame & Slinger 302 Stainless Steel
 Retainer 302 Stainless Steel
 Set Screws 304 Stainless Steel
 Lubrication H-1 Food Grade Grease



- B-type Seals
- Overview of corrosion resistant products – pg. 52



Bearing No.	Bore Dia. of Bearing		Dimensions (in.) (mm)							Basic Load Rating (lbs.)	Basic Static Load Rating (lbs.)	Weight (lbs.)
	d (in.)	d (mm)	D	Bi	Be	N	M	G	Ds (In.)			
SUC 201-8	1/2											0.46
202-10	5/8		1.8504	1.2205	0.6299	0.5000	0.7205	0.1969	1/4-28UNF	2,440	1,220	0.42
204-12	3/4		47.0	31.0	16.0	12.7	18.3	5.0				0.35
204		20										0.35
SUC 205-14	7/8		2.0472	1.3386	0.6693	0.5630	0.7756	0.2165	1/4-28UNF	2,670	1,440	0.51
205		25	52.0	34.0	17.0	14.3	19.7	5.5				0.44
205-16	1											0.44
SUC 206-18	1 1/8		2.4409	1.5000	0.7480	0.6260	0.8740	0.2362	1/4-28UNF	3,710	2,020	0.75
206		30	62.0	38.1	19.0	15.9	22.2	6.0				0.71
206-19	1 3/16											0.71
206-20	1 1/4 S											0.71
SUC 207-20	1 1/4		2.8346	1.6890	0.7874	0.6890	1.0000	0.2559	5/16-24UNF	4,930	2,780	1.19
207-21	1 5/16		72.0	42.9	20.0	17.5	25.4	6.5				1.12
207-22	1 3/8											1.06
207		35										1.06
207-23	1 7/16											0.99
SUC 208-24	1 1/2		3.1496	1.9370	0.8268	0.7480	1.1890	0.3150	5/16-24UNF	5,660	3,300	1.50
208		40	80.0	49.2	21.0	19.0	30.2	8.0				1.41
SUC 209-27	1 11/16		3.3465	1.9370	0.8661	0.7480	1.1890	0.3150	5/16-24UNF	6,230	3,680	1.63
209-28	1 3/4		85.0	49.2	22.0	19.0	30.2	8.0				1.54
209		45										1.50
SUC 210-31	1 5/16		3.5433	2.0315	0.9449	0.7480	1.2835	0.3543	3/8-24UNF	6,590	4,070	1.81
210		50	90.0	51.6	24.0	19.0	32.6	9.0				1.76
210-32	2 S											1.66
SUC 211-32	2		3.9370	2.1890	0.9843	0.8740	1.3150	0.3543	3/8-24UNF	7,780	4,890	2.78
211		55	100.0	55.6	25.0	22.2	33.4	9.0				2.45
211-35	2 3/16											2.40
SUC 212-36	2 1/4		4.3307	2.5630	1.0630	1.0000	1.5630	0.4134	3/8-24UNF	8,910	5,870	3.68
212		60	110.0	65.1	27.0	25.4	39.7	10.5				3.40
212-39	2 7/16											3.20

CORROSION RESISTANT