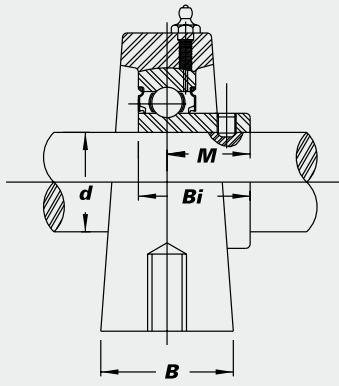


# SBPA & SAPA Tapped Base Pillow Blocks

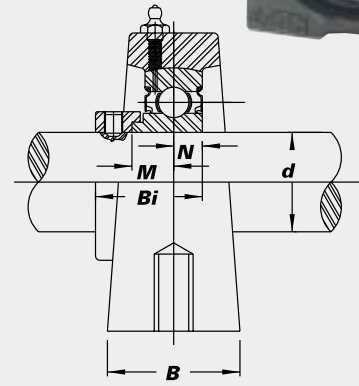
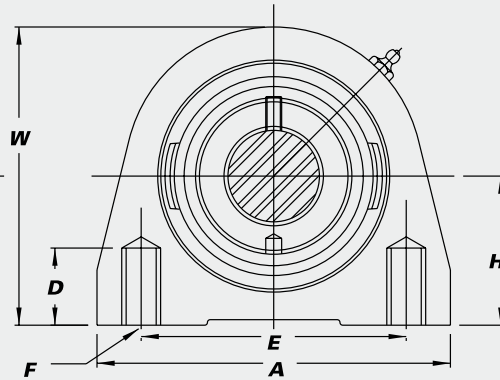


K-type Seal

- Cast iron housing
- K-type seals
- Narrow inner race bearing



SBPA



SAPA

## SBPA Set screw type

Unit No.	Shaft Dia.		Dimensions (in.) (mm)									Bearing No.	Housing No.	Weight (lbs.)
	d (in.)	d (mm)	H	A	E	B	W	F-Tapped Holes	D-Min Tap Depth	M	Bi			
SBPA 204-12 204	3/4	20	1 <sup>5</sup> / <sub>16</sub> 33.3	2 <sup>7</sup> / <sub>8</sub> 73	2 50.8	1 <sup>1</sup> / <sub>2</sub> 38	2 <sup>9</sup> / <sub>16</sub> 65	3/8"-16 UNC	1/2 13	0.7087 18.0	0.9843 25.0	SB 204-12G 204G	PA 204	1.3
SBPA 205-14 205-15 205	7/8	25	1 <sup>7</sup> / <sub>16</sub> 36.5	3 76	2 50.8	1 <sup>1</sup> / <sub>2</sub> 38	2 <sup>13</sup> / <sub>16</sub> 71	3/8"-16 UNC	1/2 13	0.7677 19.5	1.0630 27.0	SB 205-14G 205-15G 205G	PA 205	1.5
SBPA 205-16	1											205-16G		
SBPA 206-17 206-18 206	1 <sup>1</sup> / <sub>16</sub> 1 <sup>1</sup> / <sub>8</sub>	30	1 <sup>11</sup> / <sub>16</sub> 42.9	4 102	3 76.2	1 <sup>1</sup> / <sub>2</sub> 38	3 <sup>3</sup> / <sub>8</sub> 86	7/16"-14 UNC	5/8 16	0.8661 22.0	1.1811 30.0	SB 206-17G 206-18G 206G	PA 206	2.5
SBPA 206-19 206-20	1 <sup>3</sup> / <sub>16</sub> 1 <sup>1</sup> / <sub>4</sub> S											206-19G 206-20G		
SBPA 207-20 207-21 207-22 207	1 <sup>1</sup> / <sub>4</sub> 1 <sup>5</sup> / <sub>16</sub> 1 <sup>3</sup> / <sub>8</sub>	35	1 <sup>7</sup> / <sub>8</sub> 47.6	4 <sup>1</sup> / <sub>4</sub> 108	3 <sup>3</sup> / <sub>4</sub> 82.6	1 <sup>7</sup> / <sub>8</sub> 48	3 <sup>3</sup> / <sub>4</sub> 95	1/2"-13 UNC	3/4 19	0.9252 23.5	1.2992 33.0	SB 207-20G 207-21G 207-22G 207G	PA 207	3.4
SBPA 207-23	1 <sup>7</sup> / <sub>16</sub>											207-23G		
SBPA 208-24 208	1 <sup>1</sup> / <sub>2</sub>	40	1 <sup>15</sup> / <sub>16</sub> 49.2	4 <sup>5</sup> / <sub>8</sub> 117	3 <sup>1</sup> / <sub>2</sub> 88.9	1 <sup>7</sup> / <sub>8</sub> 48	3 <sup>15</sup> / <sub>16</sub> 100	1/2"-13 UNC	3/4 19	0.9843 25.0	1.4173 36.0	SB 208-24G 208G	PA 208	3.8

## SAPA Eccentric locking collar type

Unit No.	Shaft Dia.		Dimensions (in.) (mm)									Bearing No.	Housing No.	Weight (lbs.)	
	d (in.)	d (mm)	H	A	E	B	W	F-Tapped Holes	D-Min Tap Depth	M	N				Bi
SAPA 204-12 204	3/4	20	1 <sup>5</sup> / <sub>16</sub> 33.3	2 <sup>7</sup> / <sub>8</sub> 73	2 50.8	1 <sup>1</sup> / <sub>2</sub> 38	2 <sup>9</sup> / <sub>16</sub> 65	3/8"-16 UNC	1/2 13	0.5112 14.0	0.2953 7.5	1.2205 31.0	SA 204-12G 204G	PA 204	1.4
SAPA 205-14 205-15 205	7/8	25	1 <sup>7</sup> / <sub>16</sub> 36.5	3 76	2 50.8	1 <sup>1</sup> / <sub>2</sub> 38	2 <sup>13</sup> / <sub>16</sub> 71	3/8"-16 UNC	1/2 13	0.5513 14.0	0.2953 7.5	1.2205 31.0	SA 205-14G 205-15G 205G	PA 205	1.6
SAPA 205-16	1												205-16G		
SAPA 206-17 206-18 206	1 <sup>1</sup> / <sub>16</sub> 1 <sup>1</sup> / <sub>8</sub>	30	1 <sup>11</sup> / <sub>16</sub> 42.9	4 102	3 76.2	1 <sup>1</sup> / <sub>2</sub> 38	3 <sup>3</sup> / <sub>8</sub> 86	7/16"-14 UNC	5/8 16	0.5827 14.8	0.3543 9.0	1.4055 35.7	SA 206-17G 206-18G 206G	PA 206	2.6
SAPA 206-19 206-20	1 <sup>3</sup> / <sub>16</sub> 1 <sup>1</sup> / <sub>4</sub> S												206-19G 206-20G		
SAPA 207-20 207-21 207-22 207	1 <sup>1</sup> / <sub>4</sub> 1 <sup>5</sup> / <sub>16</sub> 1 <sup>3</sup> / <sub>8</sub>	35	1 <sup>7</sup> / <sub>8</sub> 47.6	4 <sup>1</sup> / <sub>4</sub> 108	3 <sup>3</sup> / <sub>4</sub> 82.6	1 <sup>7</sup> / <sub>8</sub> 48	3 <sup>3</sup> / <sub>4</sub> 95	1/2"-13 UNC	3/4 19	0.6260 15.9	0.3740 9.5	1.5315 38.9	SA 207-20G 207-21G 207-22G 207G	PA 207	3.7
SAPA 207-23	1 <sup>7</sup> / <sub>16</sub>												207-23G		
SAPA 208-24	1 <sup>1</sup> / <sub>2</sub>	40	1 <sup>15</sup> / <sub>16</sub> 49.2	4 <sup>5</sup> / <sub>8</sub> 117	3 <sup>1</sup> / <sub>2</sub> 88.9	1 <sup>7</sup> / <sub>8</sub> 48	3 <sup>15</sup> / <sub>16</sub> 100	1/2"-13 UNC	3/4 19	0.7559 19.2	0.4331 11.0	1.7205 43.7	SA 208-24G	PA 208	4.2
SAPA 209-27 209-28	1 <sup>11</sup> / <sub>16</sub> 1 <sup>3</sup> / <sub>4</sub>	54.0	2 <sup>1</sup> / <sub>8</sub> 54.0	5 127	3 <sup>3</sup> / <sub>4</sub> 95.3	2 51	4 <sup>1</sup> / <sub>4</sub> 108	1/2"-13 UNC	3/4 19	0.7559 19.2	0.4331 11.0	1.7205 43.7	SA 209-27G 209-28G	PA 209	5.1
SAPA 210-30 210-31 210-32	1 <sup>7</sup> / <sub>8</sub> 1 <sup>15</sup> / <sub>16</sub> 2S	57.2	2 <sup>1</sup> / <sub>4</sub> 57.2	5 <sup>1</sup> / <sub>2</sub> 140	4 101.6	2 51	4 <sup>5</sup> / <sub>8</sub> 117	5/8"-11 UNC	7/8 22	0.7559 19.2	0.4331 11.0	1.7205 43.7	SA 210-30G 210-31G 210-32G	PA 210	5.9

Interchange Page 91