

# SBLF H4 & SALF H4 Flange Units

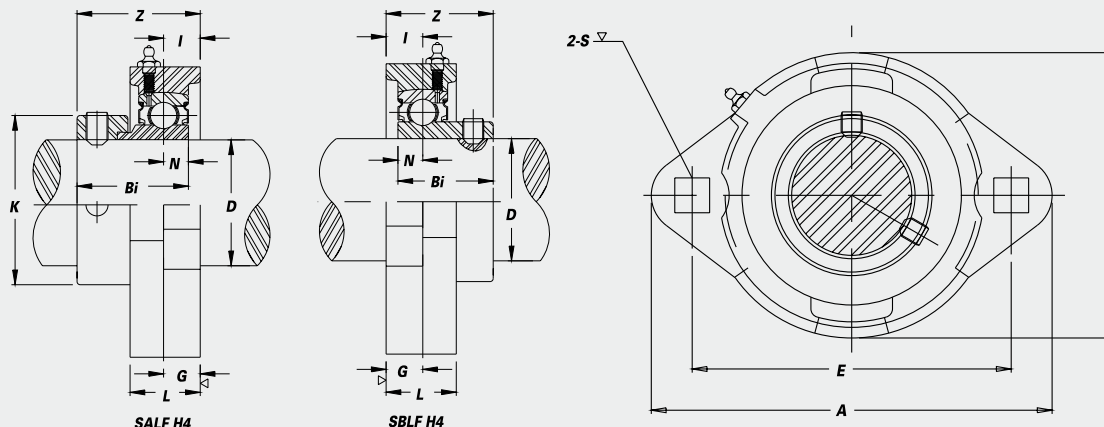


- Ductile iron housing
- Square bolt holes
- K-type seals

- Narrow inner race bearing
- Also available non-relubricatable — please specify



K-type Seal



## SBLF H4 Set screw type

Unit No.	Shaft Dia.		Dimensions (in./mm)										Bolt Used (in.)	Bearing No.	Housing No.	Weight (lbs.)
	d (in.)	d (mm)	A	E	I	G	L	S	B	Z	Bi	N				
SBLF 201-8GH4	1/2	15	3 <sup>3</sup> / <sub>16</sub>	2 <sup>1</sup> / <sub>2</sub>	3 <sup>3</sup> / <sub>8</sub>	3 <sup>3</sup> / <sub>8</sub>	2 <sup>3</sup> / <sub>32</sub>	5 <sup>1</sup> / <sub>16</sub>	2 <sup>7</sup> / <sub>32</sub>	1	0.8661	0.2362	1/4	SB 201-8G	LF 203 H4	0.6
202GH4	5/8	81	63.5	10	10	18	8	56	25.4	22.0	6.0	202-10G				
203GH4	17											203G				
SBLF 204-12GH4	3/4	20	3 <sup>11</sup> / <sub>32</sub>	2 <sup>13</sup> / <sub>16</sub>	7 <sup>1</sup> / <sub>16</sub>	7 <sup>1</sup> / <sub>16</sub>	2 <sup>5</sup> / <sub>32</sub>	2 <sup>5</sup> / <sub>64</sub>	2 <sup>13</sup> / <sub>32</sub>	1 <sup>5</sup> / <sub>32</sub>	0.9843	0.2756	5/16	SB 204-12G	LF 204 H4	0.7
204GH4	90	71.5	11	11	20	10	61	29.0	25.0	7.0	205-14G					
SBLF 205-14GH4	7/8	25	3 <sup>3</sup> / <sub>4</sub>	2 <sup>63</sup> / <sub>64</sub>	7 <sup>1</sup> / <sub>16</sub>	7 <sup>1</sup> / <sub>16</sub>	2 <sup>5</sup> / <sub>32</sub>	2 <sup>5</sup> / <sub>64</sub>	2 <sup>17</sup> / <sub>32</sub>	1 <sup>3</sup> / <sub>16</sub>	1.0630	0.2953	5/16	SB 205-14G	LF 205 H4	0.9
205GH4	15/16	95	76.0	11	11	20	10	64	30.5	27.0	7.5	205G				
205-15GH4	1											205-15G				
SBLF 206-17GH4	1 <sup>1</sup> / <sub>16</sub>	30	4 <sup>7</sup> / <sub>16</sub>	3 <sup>9</sup> / <sub>16</sub>	1 <sup>5</sup> / <sub>32</sub>	1 <sup>5</sup> / <sub>32</sub>	7 <sup>1</sup> / <sub>8</sub>	1 <sup>5</sup> / <sub>32</sub>	3	1 <sup>11</sup> / <sub>32</sub>	1.1811	0.3150	3/8	SB 206-17G	LF 206 H4	1.2
206-18GH4	1 <sup>1</sup> / <sub>8</sub>	113	90.5	12	12	23	12	76	34.0	30.0	8.0	206-18G				
206GH4	1 <sup>3</sup> / <sub>16</sub>											206G				
206-19GH4	1 <sup>1</sup> / <sub>4</sub> S											206-19G				
SBLF 207-20GH4	1 <sup>1</sup> / <sub>4</sub>	35	4 <sup>13</sup> / <sub>16</sub>	3 <sup>15</sup> / <sub>16</sub>	3 <sup>3</sup> / <sub>64</sub>	3 <sup>3</sup> / <sub>64</sub>	1 <sup>5</sup> / <sub>16</sub>	1 <sup>5</sup> / <sub>32</sub>	3 <sup>1</sup> / <sub>2</sub>	1 <sup>7</sup> / <sub>16</sub>	1.2992	0.3740	3/8	SB 207-20G	LF 207 H4	1.7
207-21GH4	1 <sup>5</sup> / <sub>16</sub>	122	100.0	13	13	24	12	89	36.5	33.0	9.5	207-21G				
207-22GH4	1 <sup>3</sup> / <sub>8</sub>											207-22G				
207GH4												207G				
207-23GH4	1 <sup>7</sup> / <sub>16</sub>											207-23G				

## SALF H4 Eccentric locking collar type

Unit No.	Shaft Dia.		Dimensions (in./mm)										Bolt Used (in.)	Bearing No.	Housing No.	Weight (lbs.)	
	d (in.)	d (mm)	A	E	I	G	L	S	B	Z	Bi	N					K
SALF 201-8GH4	1/2	15	3 <sup>3</sup> / <sub>16</sub>	2 <sup>1</sup> / <sub>2</sub>	3 <sup>3</sup> / <sub>8</sub>	3 <sup>3</sup> / <sub>8</sub>	2 <sup>3</sup> / <sub>32</sub>	5 <sup>1</sup> / <sub>16</sub>	2 <sup>7</sup> / <sub>32</sub>	1 <sup>1</sup> / <sub>4</sub>	1.1260	0.2362	1 <sup>1</sup> / <sub>8</sub>	1/4	SA 201-8G	LF 203 H4	0.7
202GH4	5/8	81	63.5	10	10	18	8	56	31.8	28.6	6.0	29	202-10G				
203GH4	17												203G				
SALF 204-12GH4	3/4	20	3 <sup>11</sup> / <sub>32</sub>	2 <sup>13</sup> / <sub>16</sub>	7 <sup>1</sup> / <sub>16</sub>	7 <sup>1</sup> / <sub>16</sub>	2 <sup>5</sup> / <sub>32</sub>	2 <sup>5</sup> / <sub>64</sub>	2 <sup>13</sup> / <sub>32</sub>	1 <sup>23</sup> / <sub>64</sub>	1.2205	0.2953	1 <sup>5</sup> / <sub>16</sub>	5/16	SA 204-12G	LF 204 H4	0.8
204GH4	90	71.5	11	11	20	10	61	34.4	31.0	7.5	33	204G					
SALF 205-14GH4	7/8	25	3 <sup>3</sup> / <sub>4</sub>	2 <sup>63</sup> / <sub>64</sub>	7 <sup>1</sup> / <sub>16</sub>	7 <sup>1</sup> / <sub>16</sub>	2 <sup>5</sup> / <sub>32</sub>	2 <sup>5</sup> / <sub>64</sub>	2 <sup>17</sup> / <sub>32</sub>	1 <sup>23</sup> / <sub>64</sub>	1.2205	0.2953	1 <sup>1</sup> / <sub>2</sub>	5/16	SA 205-14G	LF 205 H4	1.0
205GH4	15/16	95	76.0	11	11	20	10	64	34.4	31.0	7.5	38	205G				
205-15GH4	1												205-15G				
SALF 206-17GH4	1 <sup>1</sup> / <sub>16</sub>	30	4 <sup>7</sup> / <sub>16</sub>	3 <sup>9</sup> / <sub>16</sub>	1 <sup>5</sup> / <sub>32</sub>	1 <sup>5</sup> / <sub>32</sub>	7 <sup>1</sup> / <sub>8</sub>	1 <sup>5</sup> / <sub>32</sub>	3	1 <sup>17</sup> / <sub>32</sub>	1.4055	0.3543	1 <sup>3</sup> / <sub>4</sub>	3/8	SA 206-17G	LF 206 H4	1.4
206-18GH4	1 <sup>1</sup> / <sub>8</sub>	113	90.5	12	12	23	12	76	38.9	35.7	9.0	45	206-18G				
206GH4	1 <sup>3</sup> / <sub>16</sub>												206G				
206-19GH4	1 <sup>1</sup> / <sub>4</sub> S												206-19G				
SALF 207-20GH4	1 <sup>1</sup> / <sub>4</sub>	35	4 <sup>13</sup> / <sub>16</sub>	3 <sup>15</sup> / <sub>16</sub>	3 <sup>3</sup> / <sub>64</sub>	3 <sup>3</sup> / <sub>64</sub>	1 <sup>5</sup> / <sub>16</sub>	1 <sup>5</sup> / <sub>32</sub>	3 <sup>1</sup> / <sub>2</sub>	1 <sup>11</sup> / <sub>16</sub>	1.5315	0.3740	2 <sup>3</sup> / <sub>16</sub>	3/8	SA 207-20G	LF 207 H4	2.0
207-21GH4	1 <sup>5</sup> / <sub>16</sub>	122	100.0	13	13	24	12	89	42.7	38.9	9.5	60	207-21G				
207-22GH4	1 <sup>3</sup> / <sub>8</sub>												207-22G				
207GH4													207G				
207-23GH4	1 <sup>7</sup> / <sub>16</sub>												207-23G				

G=Relubricatable Specify "N" for non-relubricatable units Interchange Page 91