

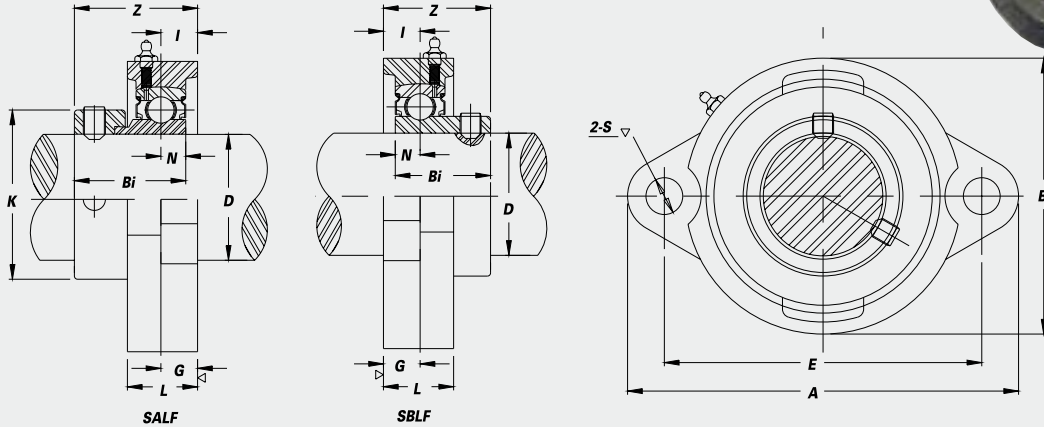
SBLF & SALF 2-Bolt Flange Units



K-type Seal

- Cast iron housing
- Round bolt holes
- K-type seals

- Narrow inner race bearing
- Also available non-relubricatable — please specify



SBLF Set screw type

Unit No.	Shaft Dia.		Dimensions (in.) (mm)										Bolt Used (in.)	Bearing No.	Housing No.	Weight (lbs.)
	d (in.)	d (mm)	A	E	I	G	L	S	B	Z	Bi	N				
SBLF 201-8G	1/2	15	3 ³ / ₁₆	2 ¹ / ₂	3 ³ / ₈	3 ³ / ₈	2 ³ / ₃₂	5 ¹ / ₁₆	2 ⁷ / ₃₂	1	0.8661	0.2362	1/4	SB 201-8G	LF 203G	0.6
202G														202G		
202-10G	5/8	17	81	63.5	10	10	18	8	56	25.4	22.0	6.0		202-10G		
SBLF 204-12G	3/4	20	3 ¹⁷ / ₃₂	2 ¹³ / ₁₆	7 ¹ / ₁₆	7 ¹ / ₁₆	2 ⁵ / ₃₂	2 ⁵ / ₆₄	2 ¹³ / ₃₂	1 ⁵ / ₃₂	0.9843	0.2756	5/16	SB 204-12G	LF 204G	0.7
204G														204G		
SBLF 205-14G	7/8	25	3 ³ / ₄	2 ⁶³ / ₆₄	7 ¹ / ₁₆	7 ¹ / ₁₆	2 ⁵ / ₃₂	2 ⁵ / ₆₄	2 ¹⁷ / ₃₂	1 ³ / ₁₆	1.0630	0.2953		5/16		
205G													205G			
205-15G	1 ⁵ / ₁₆	95	95	76.0	11	11	20	10	64	30.5	27.0	7.5	205-15G			
SBLF 206-17G	1 ¹ / ₁₆	30	4 ⁷ / ₁₆	3 ⁹ / ₁₆	1 ⁵ / ₃₂	1 ⁵ / ₃₂	7 ¹ / ₈	1 ⁵ / ₃₂	3	1 ¹¹ / ₃₂	1.1811	0.3150	3/8	SB 206-17G	LF 206G	1.2
206-18G	1 ¹ / ₈													206-18G		
206G														206G		
206-19G	1 ³ / ₁₆													206-19G		
SBLF 207-20G	1 ¹ / ₄	35	4 ¹³ / ₁₆	3 ¹⁵ / ₁₆	3 ³ / ₆₄	3 ³ / ₆₄	1 ⁵ / ₁₆	1 ⁵ / ₃₂	3 ¹ / ₂	1 ⁷ / ₁₆	1.2992	0.3740	3/8	SB 207-20G	LF 207G	1.7
207-21G	1 ³ / ₈													207-21G		
207-22G	1 ³ / ₈													207-22G		
207G														207G		
207-23G	1 ⁷ / ₁₆													207-23G		

SALF Eccentric locking collar type

Unit No.	Shaft Dia.		Dimensions (in.) (mm)										Bolt Used (in.)	Bearing No.	Housing No.	Weight (lbs.)	
	d (in.)	d (mm)	A	E	I	G	L	S	B	Z	Bi	N					K
SALF 201-8G	1/2	15	3 ³ / ₁₆	2 ¹ / ₂	3 ³ / ₈	3 ³ / ₈	2 ³ / ₃₂	5 ¹ / ₁₆	2 ⁷ / ₃₂	1 ¹ / ₄	1.1260	0.2362	1 ¹ / ₈	1/4	SA 201-8G	LF 203G	0.7
202G													202G				
202-10G	5/8	17	81	63.5	10	10	18	8	56	31.8	28.6	6.0	29		202-10G		
SALF 204-12G	3/4	20	3 ¹⁷ / ₃₂	2 ¹³ / ₁₆	7 ¹ / ₁₆	7 ¹ / ₁₆	2 ⁵ / ₃₂	2 ⁵ / ₆₄	2 ¹³ / ₃₂	1 ²³ / ₆₄	1.2205	0.2953	1 ⁵ / ₁₆	5/16	SA 204-12G	LF 204G	0.8
204G													33		204G		
SALF 205-14G	7/8	25	3 ³ / ₄	2 ⁶³ / ₆₄	7 ¹ / ₁₆	7 ¹ / ₁₆	2 ⁵ / ₃₂	2 ⁵ / ₆₄	2 ¹⁷ / ₃₂	1 ²³ / ₆₄	1.2205	0.2953	1 ¹ / ₂		5/16		
205G													38	205G			
205-15G	1 ⁵ / ₁₆	95	95	76.0	11	11	20	10	64	34.4	31.0	7.5		205-15G			
SALF 206-17G	1 ¹ / ₁₆	30	4 ⁷ / ₁₆	3 ⁹ / ₁₆	1 ⁵ / ₃₂	1 ⁵ / ₃₂	7 ¹ / ₈	1 ⁵ / ₃₂	3	1 ¹⁷ / ₃₂	1.4055	0.3543	1 ³ / ₄	3/8	SA 206-17G	LF 206G	1.4
206-18G	1 ¹ / ₈														206-18G		
206G															206G		
206-19G	1 ³ / ₁₆														206-19G		
SALF 207-20G	1 ¹ / ₄	35	4 ¹³ / ₁₆	3 ¹⁵ / ₁₆	3 ³ / ₆₄	3 ³ / ₆₄	1 ⁵ / ₁₆	1 ⁵ / ₃₂	3 ¹ / ₂	1 ¹¹ / ₁₆	1.5315	0.3740	2 ³ / ₁₆	3/8	SA 207-20G	LF 207G	2.0
207-21G	1 ³ / ₈														207-21G		
207-22G	1 ³ / ₈														207-22G		
207G															207G		
207-23G	1 ⁷ / ₁₆														207-23G		

G=Relubricatable Specify "N" for non-relubricatable units

STANDARD PRODUCTS