



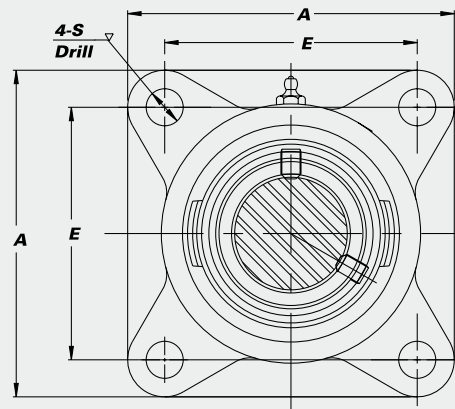
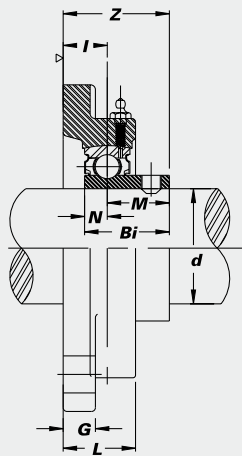
SBF 4-Bolt Flange Units

- Cast iron housing
- Narrow inner race bearing

- K-type seals
- Set screw lock



K-type Seal



Unit No.	Shaft Dia.		Dimensions (in. (mm))										Bolt Used (in.)	Bearing No.	Housing No.	Weight (lbs.)		
	d (in.)	d (mm)	A	E	I	G	L	S	Z	Bi	N	M						
SBF 201		12																
201-8	1/2																	
202		15	3	2 1/8	2 1/32	3/8	1 3/32	7/16	1 9/32	0.8661	0.2362	0.6299	3/8	SB 201G				
202-10	5/8		76	54	16.7	10	28	11	32.7	22.0	6.0	16.0		201-8G				
203		17												202G	F 203	1.1		
														202-10G				
														203G				
SBF 204-12	3/4		3 3/8	2 1/2	1 9/32	7/16	1	7/16	1 19/64	0.9843	0.2750	0.7087	3/8	SB 204-12G				
204		20	86	64	15	11	25.4	11	33	25.0	7.0	18.0		204G	F 204	1.4		
SBF 205-14	7/8													SB 205-14G				
205-15	1 5/16		3 3/4	2 3/4	5/8	1/2	1 1/16	2 9/64	1 29/64	1.0630	0.2953	0.7677	3/8	205-15G				
205		25	95	70	16	13	27	11.5	35.3	27.0	7.5	19.5		205G	F 205	1.8		
205-16	1													205-16G				
SBF 206-17	1 1/16													SB 206-17G				
206-18	1 1/8													206-18G				
206		30	4 1/4	3 1/4	4 5/64	1/2	1 1/32	3 3/64	1 37/64	1.1811	0.3150	0.8661	7/16	206G	F 206	2.2		
206-19	1 3/16		108	83	18	13	31	13	40.1	30.0	8.0	22.0		206-19G				
206-20	1 1/4S													206-20G				
SBF 207-20	1 1/4													SB 207-20G				
207-21	1 5/16													207-21G				
207-22	1 3/8		4 19/32	3 5/8	3/4	1 9/32	1 11/32	3 3/64	1 43/64	1.2992	0.3740	0.9252	7/16	207-22G	F 207	3.0		
207		35	117	92	19	15	34	13	42.5	33.0	9.5	23.5		207G				
207-23	1 7/16													207-23G				
SBF 208-24	1 1/2													SB 208-24G				
208-25	1 9/16													208-25G				
208		40	5 1/8	4	5 3/64	1 9/32	1 13/32	3 5/64	1 13/16	1.4173	0.4331	0.9843	1/2	208G	F 208	4.1		

Interchange Page 91