

NANFL 2-Bolt Flange Units



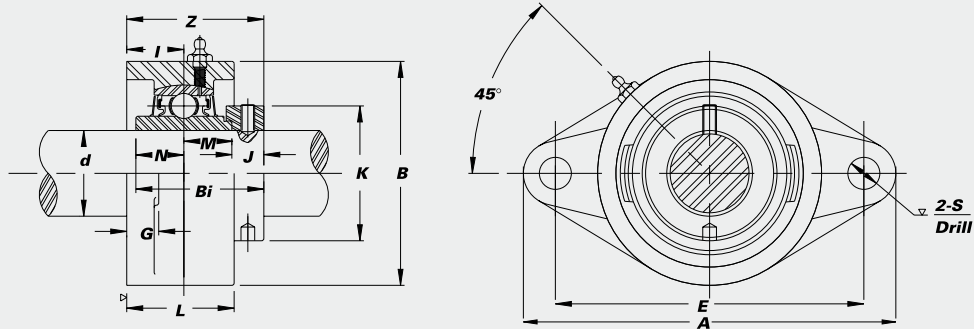
B-type Seal



L3-type Seal

Standard duty with eccentric locking collar.

- Cast iron housing
- Wide inner race bearing
- B-type or L3-type seals



Unit No.	Shaft Dia.		Dimensions (in.) (mm)											Bolt Used (in.)	Bearing No.	Housing No.	Weight (lbs.)				
	d (in.)	d (mm)	A	E	I	G	L	S	B	Z	Bi	N	M					J	K		
NANFL 201		12																NAW201			
201-8	1/2	15	4 ^{13/32}	3	4 ^{3/64}	7/16	3 ^{1/32}	2 ^{5/64}	2 ^{3/8}	1 ^{9/32}	1.4685	0.5472	0.5472	0.3740	1.1260	5/16	201-8				
202			112	76.2	17	11	25	10	60	40.5	37.3	13.9	13.9	9.5	28.6		202	FT 203		1.2	
202-10	5/8	17															202-10				
203																	203				
NANFL 204-12	3/4	20	4 ^{7/16}	3 ^{17/32}	3/4	7/16	1 ^{5/32}	2 ^{5/64}	2 ^{3/8}	1 ^{25/32}	1.7126	0.6693	0.6693	0.3740	1.3110	5/16	NA 204-12	NFL 204		1.3	
204			113	89.7	19	11	29.5	10	60	45.5	43.5	17.0	17.0	9.5	33.3		204				
NANFL 205-14	7/8																NA 205-14				
205-15	15/16	25	5 ^{1/8}	3 ^{57/64}	2 ^{5/32}	1/2	1 ^{1/32}	1 ^{5/32}	2 ^{11/16}	1 ^{27/32}	1.7441	0.6850	0.6850	0.3740	1.5000	3/8	205-15	NFL 205		2.0	
205			130	98.8	20	13	31	11.9	68	46.7	44.3	17.4	17.4	9.5	38.1		205				
205-16	1																205-16				
NANFL 206-17	1 ^{1/16}																NA 206-17				
206-18	1 ^{1/8}	30	5 ^{13/16}	4 ^{19/32}	5 ^{3/64}	1/2	1 ^{11/32}	1 ^{5/32}	3 ^{5/32}	2	1.9016	0.7165	0.7165	0.4685	1.7520	3/8	206-18	NFL 206		2.5	
206			148	116.7	21	13	34	11.9	80	51.1	48.3	18.2	18.2	11.9	44.5		206				
206-19	1 ^{3/16}																206-19				
206-20	1 ^{1/4} S																206-20				
NANFL 207-20	1 ^{1/4}																NA 207-20				
207-21	1 ^{5/16}	35	6 ^{11/32}	5 ^{1/8}	2 ^{7/32}	9/16	1 ^{1/16}	3 ^{3/64}	3 ^{17/32}	2 ^{1/8}	2.0118	0.7402	0.7402	0.5315	2.1890	7/16	207-21	NFL 207		3.5	
207-22	1 ^{3/8}		161	130.2	21.5	14	36.5	13	90	53.8	51.1	18.8	18.8	13.5	55.6		207-22				
207																	207				
207-23	1 ^{7/16}																207-23				
NANFL 208-24	1 ^{1/2}																NA 208-24				
208-25	1 ^{9/16}	40	6 ^{7/8}	5 ^{21/32}	1 ^{5/16}	9/16	1 ^{17/32}	3 ^{3/64}	3 ^{15/16}	2 ^{5/16}	2.2165	0.8425	0.8425	0.5315	2.3740	7/16	208-25	NFL 208		4.5	
208			175	143.7	24	14	39	13	100	58.9	56.3	21.4	21.4	13.5	60.3		208				
NANFL 209-26	1 ^{5/8}																NA 209-26				
209-27	1 ^{11/16}	45	7 ^{13/32}	5 ^{27/32}	1 ^{5/16}	9/16	1 ^{9/16}	1 ^{9/32}	4 ^{1/4}	2 ^{5/16}	2.2165	0.8425	0.8425	0.5315	2.5000	1/2	209-27	NFL 209		5.2	
209-28	1 ^{3/4}		188	148.4	24	14	40	15	108	58.9	56.3	21.4	21.4	13.5	63.5		209-28				
209																	209				
NANFL 210-30	1 ^{7/8}																NA 210-30				
210-31	1 ^{15/16}	50	7 ^{3/4}	6 ^{3/16}	1 ^{1/8}	9/16	1 ^{27/32}	1 ^{9/32}	4 ^{17/32}	2 ^{5/8}	2.4685	0.9685	0.9685	0.5315	2.7520	1/2	210-31	NFL 210		6.1	
210			197	157	28.5	14	46.5	15	115	66.6	62.7	24.6	24.6	13.5	69.9		210				
210-32	2S																210-32				
NANFL 211-32	2																NA 211-32				
211-34	2 ^{1/8}	55	8 ^{13/16}	7 ^{1/4}	1 ^{17/64}	1 ^{3/16}	1 ^{31/32}	4 ^{1/64}	5 ^{1/8}	2 ^{31/32}	2.8110	1.0906	1.0906	0.6299	3.0000	9/16	211-34	NFL 211		9.2	
211			224	184	32	20	50	16.3	130	75.7	71.4	27.7	27.7	16.0	76.2		211				
211-35	2 ^{3/16}																211-35				
NANFL 212-36	2 ^{1/4}																NA 212-36				
212		60	9 ^{27/32}	7 ^{15/16}	1 ^{27/64}	1 ^{3/16}	2 ^{5/32}	4 ^{1/64}	5 ^{1/2}	3 ^{1/4}	3.0630	1.2165	1.2165	0.6299	3.3150	9/16	212	NFL 212		11.1	
212-38	2 ^{3/8}		250	202	36	20	55	16.3	140	82.9	77.8	30.9	30.9	16.0	84.2		212-38				
212-39	2 ^{1/16}																212-39				

Interchange Page 91