

# CUC Hard Chrome Coated Inserts



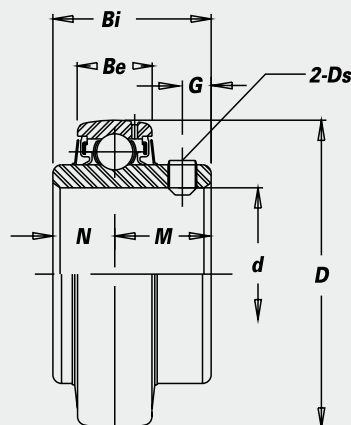
B-type Seal

## Set Screw Lock

|                      |                       |
|----------------------|-----------------------|
| Rings                | Hard Chrome Coated    |
| Balls                | 440 Stainless Steel   |
| Seal                 | Silicone Rubber       |
| Slinger & Seal Frame | 302 Stainless Steel   |
| Retainer             | 302 Stainless Steel   |
| Set Screws           | 304 Stainless Steel   |
| Lubrication          | H-1 Food Grade Grease |

• B-type Seals

• Overview of corrosion resistant products – pg. 52



| Bearing No.                           | Bore Dia. of Bearing |          | Dimensions (in.) (mm) |                |                |                |                |               |                 | Basic Load Rating (lbs.) | Basic Static Load Rating (lbs.) | Weight (lbs.)                |
|---------------------------------------|----------------------|----------|-----------------------|----------------|----------------|----------------|----------------|---------------|-----------------|--------------------------|---------------------------------|------------------------------|
|                                       | <i>d</i>             | <i>d</i> | <i>D</i>              | <i>Bi</i>      | <i>Be</i>      | <i>N</i>       | <i>M</i>       | <i>G</i>      | <i>Ds</i> (In.) |                          |                                 |                              |
| CUC 204-12<br>204                     | 3/4                  | 20       | 1.8504<br>47.0        | 1.2205<br>31.0 | 0.6299<br>16.0 | 0.5000<br>12.7 | 0.7205<br>18.3 | 0.1969<br>5.0 | 1/4-28UNF       | 2,740                    | 1,600                           | 0.35<br>0.35                 |
| CUC 205-14<br>205<br>205-16           | 7/8                  | 25       | 2.0472<br>52.0        | 1.3386<br>34.0 | 0.6693<br>17.0 | 0.5630<br>14.3 | 0.7756<br>19.7 | 0.2165<br>5.5 | 1/4-28UNF       | 3,010                    | 1,750                           | 0.51<br>0.44<br>0.44         |
| CUC 206-18<br>206<br>206-19<br>206-20 | 1 1/8                | 30       | 2.4409<br>62.0        | 1.5000<br>38.1 | 0.7480<br>19.0 | 0.6260<br>15.9 | 0.8740<br>22.2 | 0.2362<br>6.0 | 1/4-28UNF       | 4,200                    | 2,430                           | 0.75<br>0.71<br>0.71<br>0.71 |
| CUC 207-20<br>207-22<br>207<br>207-23 | 1 1/4                | 35       | 2.8346<br>72.0        | 1.6890<br>42.9 | 0.7874<br>20.0 | 0.6890<br>17.5 | 1.0000<br>25.4 | 0.2559<br>6.5 | 5/16-24UNF      | 5,535                    | 3,340                           | 1.19<br>1.06<br>1.06<br>0.99 |
| CUC 208-24<br>208                     | 1 1/2                | 40       | 3.1496<br>80.0        | 1.9370<br>49.2 | 0.8268<br>21.0 | 0.7480<br>19.0 | 1.1890<br>30.2 | 0.3150<br>8.0 | 5/16-24UNF      | 6,375                    | 3,960                           | 1.50<br>1.41                 |

CORROSION RESISTANT