



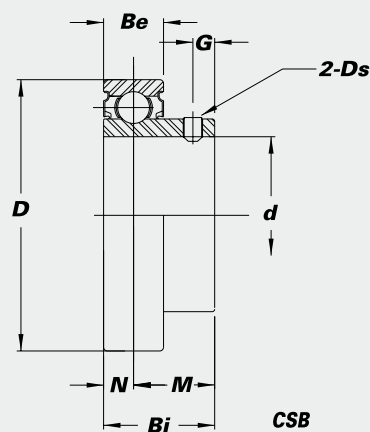
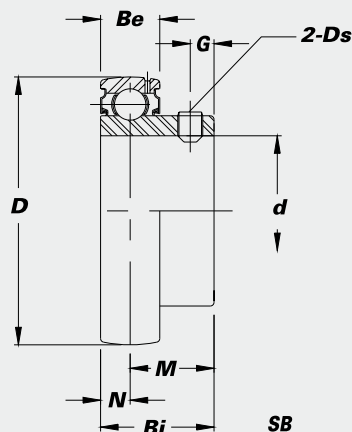
# SB & CSB Bearing Inserts

- Set screw lock
- Available relubricatable or non-relubricatable
- Narrow inner race

- K-type seals
- Spherical (SB) and cylindrical (CSB)



K-type Seal



STANDARD PRODUCTS

Bearing No.	Bore Dia. of Bearing		Dimensions (in.) (mm)							Basic Load Rating (lbs.)	Basic Static Load Rating (lbs.)	Weight (lbs.)
	d (in.)	d (mm)	Be	D	Bi	N	M	G	Ds			
<b>SB<sub>G</sub> Relubricatable Inserts</b>												
SB 201G		12										
201-8G	1/2		0.4724	1.5748	0.8661	0.2362	0.6299	0.1575				
202G		15	12.0	40.0	22.0	6.0	16.0	4.0	10-32UNF	2,040	1,020	0.22
202-10G	5/8											
203G		17										
SB 204-12G	3/4		0.5512	1.8504	0.9843	0.2756	0.7087	0.1969				
204G		20	14.0	47.0	25.0	7.0	18.0	5.0	1/4-28UNF	2,740	1,600	0.33
SB 205-14G	7/8		0.5906	2.0472	1.0630	0.2953	0.7677	0.2165				
205-15G	15/16		15.0	52.0	27.0	7.5	19.5	5.5	1/4-28UNF	3,010	1,750	0.40
205G		25										
205-16G	1											
SB 206-17G	1 1/16		0.7087	2.4409	1.1811	0.3150	0.8661	0.2362				
206-18G	1 1/8		18.0	62.0	30.0	8.0	22.0	6.0	1/4-28UNF	4,200	2,430	0.68
206G		30										
206-19G	1 3/16		0.7480	2.8346	1.2992	0.3740	0.9252	0.2362				
206-20G	1 1/4		19.0	72.0	33.0	9.5	23.5	6.0	5/16-24UNF	5,535	3,340	1.06
SB 207-20G	1 1/4											
207-21G	1 5/16		0.7480	2.8346	1.2992	0.3740	0.9252	0.2362				
207-22G	1 3/8		19.0	72.0	33.0	9.5	23.5	6.0	5/16-24UNF	5,535	3,340	1.06
207G		35										
207-23G	1 7/16											
SB 208-24G	1 1/2		0.8661	3.1496	1.4173	0.4331	0.9843	0.3150				
208-25G	1 5/8		22.0	80.0	36.0	11.0	25.0	8.0	5/16-24UNF	6,375	3,960	1.51
208G		40										

## SB<sub>N</sub> and CSB Non-Relubricatable Inserts

<b>SB<sub>N</sub> and CSB Non-Relubricatable Inserts</b>												
SB 201N		12										
201-8N	1/2		0.4724	1.5748	0.8661	0.2362	0.6299	0.1575				
202N		15	12.0	40.0	22.0	6.0	16.0	4.0	10-32UNF	2,040	1,020	0.22
202-10N	5/8											
203N		17										
SB 204-12N	3/4		0.5512	1.8504	0.9843	0.2756	0.7087	0.1969				
204N		20	14.0	47.0	25.0	7.0	18.0	5.0	1/4-28UNF	2,740	1,600	0.33
SB 205-14N	7/8		0.5906	2.0472	1.0630	0.2953	0.7677	0.2165				
205-15N	15/16		15.0	52.0	27.0	7.5	19.5	5.5	1/4-28UNF	3,010	1,750	0.40
205N		25										
205-16N	1											
SB 206-17N	1 1/16		0.6299	2.4409	1.1417	0.3150	0.8267	0.2362				
206-18N	1 1/8		16.0	62.0	29.0	8.0	21.0	6.0	1/4-28UNF	4,200	2,430	0.60
206N		30										
206-19N	1 3/16		0.6693	2.8346	1.2598	0.3346	0.9252	0.2362				
206-20N	1 1/4		17.0	72.0	32.0	8.5	23.5	6.0	5/16-24UNF	5,535	3,340	0.93
SB 207-20N	1 1/4											
207-21N	1 5/16		0.6693	2.8346	1.2598	0.3346	0.9252	0.2362				
207-22N	1 3/8		17.0	72.0	32.0	8.5	23.5	6.0	5/16-24UNF	5,535	3,340	0.93
207N		35										
207-23N	1 7/16											
SB 208-24N	1 1/2		0.7087	3.1496	1.3386	0.3543	0.9843	0.3150				
208N		40	18.0	80.0	34.0	9.0	25.0	8.0	5/16-24UNF	6,375	3,960	1.32