

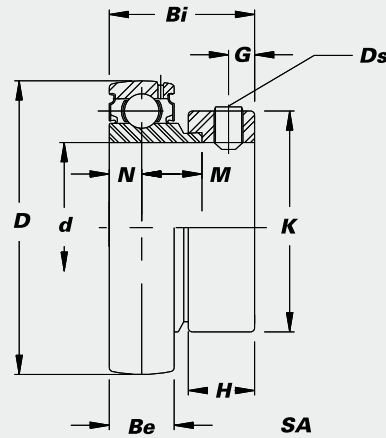
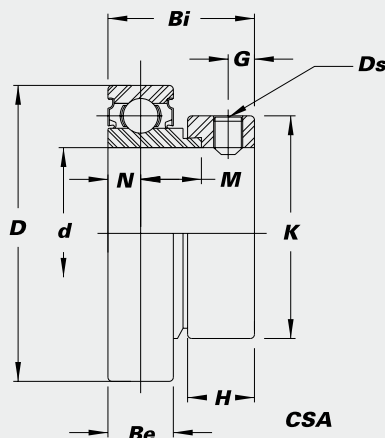
SA & CSA Bearing Inserts



K-type Seal

- Eccentric locking collar
- Narrow inner race
- K-type seals

- Available relubricatable (G) or non-relubricatable (N)
- Spherical (SA) and cylindrical (CSA)



Bearing No.	Bore Dia. of Bearing		Dimensions (in.) (mm)									Basic Load Rating (lbs.)	Basic Static Load Rating (lbs.)	Weight (lbs.)	
	d		Be	D	Bi	N	M	G	Ds	K	H				
	(in.)	(mm)													
SA201	12														
201-8	1/2	15	0.5118	1.5748	1.1260	0.2559	0.4960	0.1890							
202	5/8	17	13.0	40.0	28.6	6.5	12.6	4.8	1/4-28UNF	1.1260	0.5315	2,040	1,020	0.29	
202-10															
203															
SA204-12	3/4	20	0.5906	1.8504	1.2205	0.2953	0.5512	0.1890							
204			15.0	47.0	31.0	7.5	14.0	4.8	1/4-28UNF	1.3110	0.5315	2,740	1,600	0.43	
SA205-14	7/8	25	0.5906	2.0472	1.2205	0.2953	0.5513	0.1890							
205-15	15/16		15.0	52.0	31.0	7.5	14.0	4.8	1/4-28UNF	1.5000	0.5315	3,010	1,750	0.51	
205															
205-16	1														
SA206-17	1 1/16	30	0.7087	2.4409	1.4055	0.3543	0.5827	0.2362							
206-18	1 1/8		18.0	62.0	35.7	9.0	14.8	6.0	5/16-24UNF	1.7520	0.6260	4,200	2,430	0.75	
206															
206-19	1 3/16														
206-20	1 1/4S														
SA207-20	1 1/4	35	0.7480	2.8346	1.5315	0.3740	0.6260	0.2677							
207-21	1 5/16		19.0	72.0	38.9	9.5	15.9	6.8	5/16-24UNF	2.1890	0.6890	5,535	3,340	1.26	
207-22	1 3/8														
207															
207-23	1 7/16														
SA208-24	1 1/2	40	0.8661	3.1496	1.7205	0.4331	0.7559	0.2677							
208-25	1 9/16		22.0	80.0	43.7	11.0	19.2	6.8	5/16-24UNF	2.3740	0.7205	6,375	3,960	1.65	
208															
SA209-26	1 5/8	45	0.8661	3.3465	1.7205	0.4331	0.7559	0.2677							
209-27	1 11/16		22.0	85.0	43.7	11.0	19.2	6.8	5/16-24UNF	2.5000	0.7205	7,110	4,460	1.81	
209-28	1 3/4														
209															
SA210-30	1 7/8	50	0.8661	3.5433	1.7205	0.4331	0.7559	0.2677							
210-31	1 15/16		22.0	90.0	43.7	11.0	19.2	6.8	5/16-24UNF	2.7520	0.7205	7,400	4,910	1.87	
210															
210-32	2S														
SA211-32	2	55	0.9449	3.9370	1.9055	0.4724	0.8031	0.3150							
211-34	2 1/8		24.0	100.0	48.4	12.0	20.4	8.0	3/8-24UNF	3.0000	0.8189	9,490	6,440	2.65	
211															
211-35	2 3/16														

STANDARD PRODUCTS