

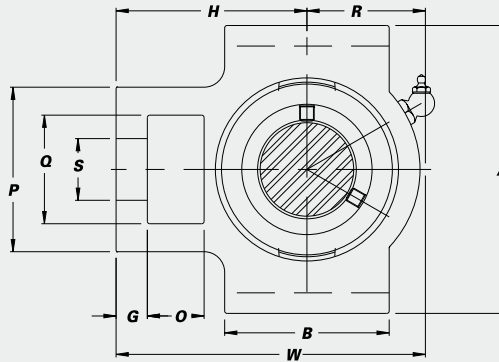
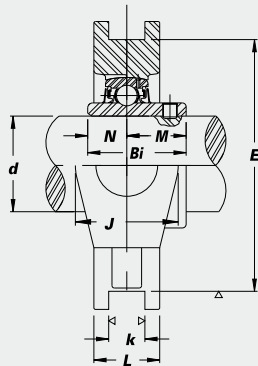
# Nickel Plated Take Up Units



## Wide slot with Black Oxide bearing insert-BUCNPT

• B-type Seals

• Overview of corrosion resistant products – pg. 52



CORROSION RESISTANT

Unit No.	Shaft Dia.		Dimensions (in.) (mm)																Bearing No.	Housing No.	Weight (lbs.)		
	d (in.)	d (mm)	O	G	P	Q	S	B	k	E	A	W	J	L	R	H	Bi	N				M	
BUCNPT 201-8	1/2																				BUC 201-8		
202-10	5/8		5/8	13/32	2	1 1/4	3/4	2	17/32	3	3 1/2	3 11/16	1 1/4	1 3/16	1 5/16	2 13/32	1.2205	0.5000	0.7205	BUC 202-10			
204-12	3/4		16	10	51	32	19	51	13.5	76.2	89	94	32	21	33	61	31.0	12.7	18.3	BUC 204-12	NPT 204	1.7	
204		20																					
BUCNPT 205-14	7/8																						
205	1		5/8	13/32	2	1 1/4	3/4	2	17/32	3	3 1/2	3 13/16	1 1/4	1 5/16	1 3/8	2 1/16	1.3386	0.5630	0.7756	BUC 205-14			
205-16		25	16	10	51	32	19	51	13.5	76.2	89	97	32	24	35	62	34.0	14.3	19.7	BUC 205-16	NPT 205	1.9	
BUCNPT 206-18	1 1/8																						
206		30	5/8	13/32	2 1/32	1 5/32	55/64	2 1/4	17/32	3 1/2	4 1/32	4 7/16	1 5/32	1 3/32	1 11/16	2 3/4	1.5000	0.6260	0.8740	BUC 206-18			
206-19	1 3/16		16	10	56	37	22	57	13.5	88.9	102	113	37	28	43	70	38.1	15.9	22.2	BUC 206-19	NPT 206	2.9	
206-20	1 1/4 S																			BUC 206-20			
BUCNPT 207-20	1 1/4																						
207-22	1 3/8		5/8	1/2	2 17/32	1 5/32	55/64	2 17/32	17/32	3 1/2	4 1/32	5 3/32	1 5/32	1 3/16	2	3 1/16	1.6890	0.6890	1.0000	BUC 207-20			
207		35	16	13	64	37	22	64	13.5	88.9	102	129	37	30	51	78	42.9	17.5	25.4	BUC 207-22	NPT 207	3.5	
207-23	1 7/16																			BUC 207-23			
BUCNPT 208-24	1 1/2																						
208		40	3/4	5/8	3 3/32	1 5/16	1 1/64	3 3/32	1 1/16	4	4 1/2	5 21/32	1 5/16	1 5/16	2 1/32	3 15/32	1.9370	0.7480	1.1890	BUC 208-24	NPT 208	5.5	
BUCNPT 209-26	1 5/8																						
209-27	1 11/16		3/4	5/8	3 3/32	1 5/16	1 1/64	3 3/32	1 1/16	4	4 19/32	5 21/32	1 5/16	1 3/8	2 1/4	3 1/16	1.9370	0.7480	1.1890	BUC 209-26			
209-28	1 3/4		19	16	83	49	29	83	17.5	101.6	117	144	49	35	57	87	49.2	19.0	30.2	BUC 209-27	NPT 209	5.5	
209		45																		BUC 209-28			
BUCNPT 210-30	1 7/8																						
210-31	1 5/8		3/4	5/8	3 3/32	1 5/16	1 1/64	3 3/8	1 1/16	4	4 19/32	5 7/8	1 5/16	1 5/32	2 5/16	3 17/32	2.0315	0.7480	1.2835	BUC 210-30			
210		50	19	16	83	49	29	86	17.5	101.6	117	149	49	37	59	90	51.6	19.0	32.6	BUC 210-31	NPT 210	5.7	
210-32	2 S																			BUC 210-32			
BUCNPT 211-32	2																						
211		55	1	3/4	4 1/32	2 17/32	1 3/8	3 3/4	1 1/16	5 1/8	5 3/4	6 23/32	2 17/32	1 1/2	2 3/16	4 1/16	2.1890	0.8740	1.3150	BUC 211-32			
211-35	2 3/16		25	19	102	64	35	95	27	130.2	146	171	64	38	65	106	55.6	22.2	33.4	BUC 211-35	NPT 211	8.8	
BUCNPT 212-36	2 1/4																						
212		60	1 1/4	3/4	4 1/32	2 17/32	1 3/8	4 1/32	1 1/16	5 1/8	5 3/4	7 5/8	2 17/32	1 21/32	2 15/16	4 11/16	2.5630	1.0000	1.5630	BUC 212-36			
212-39	2 7/16		32	19	102	64	35	102	27	130.2	146	194	64	42	75	119	65.1	25.4	39.7	BUC 212-39	NPT 212	10.6	
BUCNPT 213-40	2 1/2																						
			1 1/4	13/16	4 3/8	2 3/4	1 39/64	4 3/4	1 1/16	5 15/16	6 9/16	8 13/16	2 3/4	1 23/32	3 7/16	5 13/32	2.5630	1.0000	1.5630	BUC 213-40	NPT 213	15.2	
BUCNPT 215-47	2 5/16																						
215-48	3		1 1/4	13/16	4 3/8	2 3/4	1 39/64	4 3/4	1 1/16	5 15/16	6 9/16	9 1/8	2 3/4	1 7/8	3 5/8	5 1/2	3.0630	1.3110	1.7520	BUC 215-47	NPT 215	15.9	
			32	21	111	70	41	121	27	150.8	167	232	70	48	92	140	77.8	33.3	44.5	BUC 215-48			