

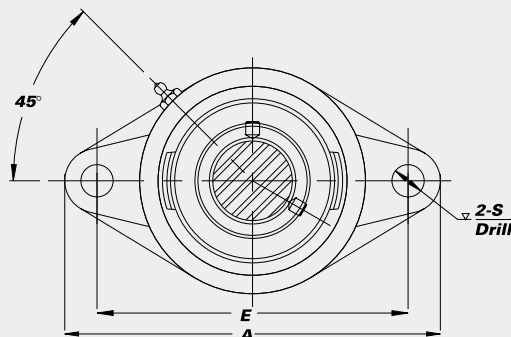
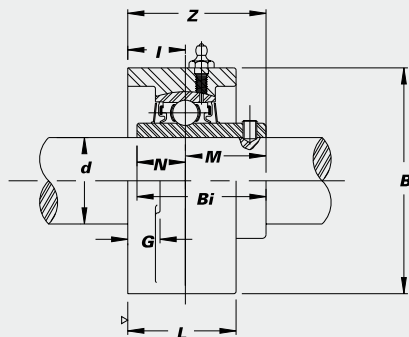
# Nickel Plated 2-Bolt Flanges



## With Black Oxide Bearing Inserts-BUCNPFL

• B-type Seals

• Overview of corrosion resistant products – pg. 52



CORROSION RESISTANT

Unit No.	Shaft Dia.		Dimensions (in. (mm))										Bolt Used (in.)	Bearing No.	Housing No.	Weight (lbs.)	
	d (in.)	d (mm)	A	E	I	G	L	S	B	Z	Bi	N					M
BUCNPFL 201-8	1/2	12.7	4 13/32	3	43/64	7/16	31/32	25/64	23/8	15/16	1.0236	0.3937	0.6299	5/16	BUCW 201-8	NPFT 203	0.9
BUCNPFL 202-10	5/8	15.9	112	76.2	17	11	25	10	60	33.3	26.0	10.0	16.0	BUCW 202-10	NPFT 203	0.9	
BUCNPFL 204-12	3/4	19.1	4 7/16	3 17/32	19/32	7/16	1	25/64	23/8	15/16	1.2205	0.5000	0.7205	5/16	BUC 204-12	NPFL 204	1.0
BUCNPFL 204	20	113	113	89.7	15	11	25	10	60	33.3	31.0	12.7	18.3	BUC 204-12	NPFL 204	1.0	
BUCNPFL 205-14	7/8	22.2	5 1/8	3 57/64	5/8	1/2	1 1/16	15/32	2 11/16	1 15/32	1.3386	0.5630	0.7756	3/8	BUC 205-14	NPFL 205	1.5
BUCNPFL 205	25	130	130	98.8	16	13	27	11.9	68	37.3	34.0	14.3	19.7	BUC 205-14	NPFL 205	1.5	
BUCNPFL 205-16	1	25.4	130	98.8	16	13	27	11.9	68	37.3	34.0	14.3	19.7	BUC 205-16	NPFL 205	1.5	
BUCNPFL 206-18	1 1/8	31.8	5 13/16	4 19/32	45/64	1/2	1 7/32	15/32	3 5/32	1 19/32	1.5000	0.6260	0.8740	3/8	BUC 206-18	NPFL 206	2.2
BUCNPFL 206	30	148	148	116.7	18	13	31	11.9	80	40.5	38.1	15.9	22.2	BUC 206-18	NPFL 206	2.2	
BUCNPFL 206-19	1 3/16	38.1	148	116.7	18	13	31	11.9	80	40.5	38.1	15.9	22.2	BUC 206-19	NPFL 206	2.2	
BUCNPFL 206-20	1 1/4 S	31.8	148	116.7	18	13	31	11.9	80	40.5	38.1	15.9	22.2	BUC 206-20	NPFL 206	2.2	
BUCNPFL 207-20	1 1/4	31.8	6 11/32	5 1/8	3/4	9/16	1 11/32	33/64	3 17/32	1 3/4	1.6890	0.6890	1.0000	7/16	BUC 207-20	NPFL 207	2.9
BUCNPFL 207-22	1 3/8	35.0	161	130.2	19	14	34	13	90	44.5	42.9	17.5	25.4	BUC 207-22	NPFL 207	2.9	
BUCNPFL 207	35	161	130.2	19	14	34	13	90	44.5	42.9	17.5	25.4	BUC 207-22	NPFL 207	2.9		
BUCNPFL 207-23	1 7/16	41.3	161	130.2	19	14	34	13	90	44.5	42.9	17.5	25.4	BUC 207-23	NPFL 207	2.9	
BUCNPFL 208-24	1 1/2	38.1	6 7/8	5 21/32	53/64	9/16	1 13/32	33/64	3 15/16	2	1.9370	0.7480	1.1890	7/16	BUC 208-24	NPFL 208	3.5
BUCNPFL 208	40	175	143.7	21	14	36	13	100	50.8	49.2	49.2	19.0	30.2	BUC 208-24	NPFL 208	3.5	
BUCNPFL 209-26	1 5/8	41.3	7 13/32	5 27/32	55/64	19/32	1 1/2	19/32	4 1/4	2 1/16	1.9370	0.7480	1.1890	1/2	BUC 209-26	NPFL 209	4.4
BUCNPFL 209-27	1 11/16	44.5	188	148.4	22	15	38	15	108	52.4	49.2	19.0	30.2	BUC 209-27	NPFL 209	4.4	
BUCNPFL 209-28	1 3/4	44.5	188	148.4	22	15	38	15	108	52.4	49.2	19.0	30.2	BUC 209-28	NPFL 209	4.4	
BUCNPFL 209	45	188	148.4	22	15	38	15	108	52.4	49.2	49.2	19.0	30.2	BUC 209-28	NPFL 209	4.4	
BUCNPFL 210-30	1 7/8	47.6	7 3/4	6 3/16	55/64	19/32	1 9/16	19/32	4 17/32	2 5/32	2.0315	0.7480	1.2835	1/2	BUC 210-30	NPFL 210	5.1
BUCNPFL 210-31	1 5/8	44.5	197	157	22	15	40	15	115	54.8	51.6	19.0	32.6	BUC 210-31	NPFL 210	5.1	
BUCNPFL 210	50	197	157	22	15	40	15	115	54.8	51.6	51.6	19.0	32.6	BUC 210-31	NPFL 210	5.1	
BUCNPFL 210-32	2 S	50.8	197	157	22	15	40	15	115	54.8	51.6	19.0	32.6	BUC 210-32	NPFL 210	5.1	
BUCNPFL 211-32	2	50.8	8 13/16	7 1/4	63/64	23/32	1 11/16	4 1/64	5 1/8	2 5/16	2.1890	0.8740	1.3150	9/16	BUC 211-32	NPFL 211	7.3
BUCNPFL 211	55	224	184	25	18	43	16.3	130	58.7	55.6	55.6	22.2	33.4	BUC 211-32	NPFL 211	7.3	
BUCNPFL 211-35	2 3/16	52.1	224	184	25	18	43	16.3	130	58.7	55.6	22.2	33.4	BUC 211-35	NPFL 211	7.3	
BUCNPFL 212-36	2 1/4	60.3	9 27/32	7 15/16	1 9/64	23/32	1 7/8	4 1/64	5 1/2	2 23/32	2.5630	1.0000	1.5630	9/16	BUC 212-36	NPFL 212	9.5
BUCNPFL 212	60	250	201.6	29	18	48	16.3	140	69.1	65.1	65.1	25.4	39.7	BUC 212-36	NPFL 212	9.5	
BUCNPFL 212-39	2 1/8	63.5	250	201.6	29	18	48	16.3	140	69.1	65.1	25.4	39.7	BUC 212-39	NPFL 212	9.5	