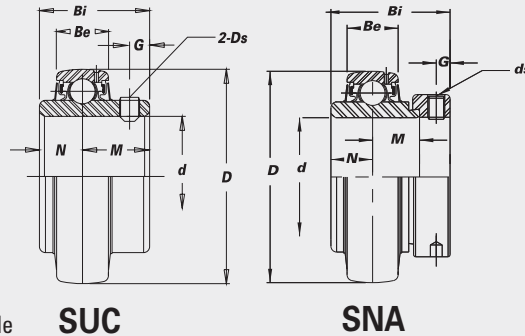
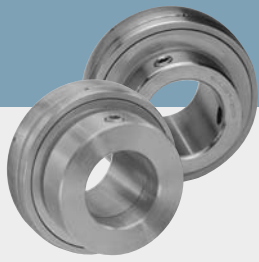


Stainless Steel Bearing Inserts



SUC Set Screw Lock

SNA with Eccentric Locking Collar

Balls & Rings	440 Stainless Steel
Seal	Silicone Rubber
Seal Frame & Slinger	302 Stainless Steel
Retainer	302 Stainless Steel
Set Screws	304 Stainless Steel
Locking Collar (SNA only)	304 Stainless Steel
Lubrication	H-1 Food Grade Grease



B-type seal available in all styles and sizes.



L3-type seal available in SUC units only. Limited sizes. Consult IPTCI for speed limitations.

CORROSION RESISTANT

Bearing No.	Bore Dia. of Bearing		Dimensions (in.) (mm)							Basic Load Rating (lbs.)	Basic Static Load Rating (lbs.)	Weight (lbs.)
	d (in.)	d (mm)	D	Bi	Be	N	M	G	Ds (in.)			

SUC with Set Screw Lock

SUC 201-8	1/2											0.46
202-10	5/8		1.8504	1.2205	0.6299	0.5000	0.7205	0.1969		2,440	1,220	0.42
204-12	3/4		47.0	31.0	16.0	12.7	18.3	5.0	1/4-28UNF			0.35
204		20										0.35
SUC 205-14	7/8		2.0472	1.3386	0.6693	0.5630	0.7756	0.2165		2,670	1,440	0.51
205		25	52.0	34.0	17.0	14.3	19.7	5.5	1/4-28UNF			0.44
205-16	1											0.44
SUC 206-18	1 1/8		2.4409	1.5000	0.7480	0.6260	0.8740	0.2362		3,710	2,020	0.75
206		30	62.0	38.1	19.0	15.9	22.2	6.0	1/4-28UNF			0.71
206-19	1 3/16											0.71
206-20	1 1/4S											0.71
SUC 207-20	1 1/4		2.8346	1.6890	0.7874	0.6890	1.0000	0.2559		4,930	2,780	1.19
207-21	1 5/16		72.0	42.9	20.0	17.5	25.4	6.5	5/16-24UNF			1.12
207-22	1 3/8											1.06
207		35										1.06
207-23	1 7/16											0.99
SUC 208-24	1 1/2		3.1496	1.9370	0.8268	0.7480	1.1890	0.3150		5,660	3,300	1.50
208		40	80.0	49.2	21.0	19.0	30.2	8.0	5/16-24UNF			1.41
SUC 209-27	1 11/16		3.3465	1.9370	0.8661	0.7480	1.1890	0.3150		6,230	3,680	1.63
209-28	1 3/4		85.0	49.2	22.0	19.0	30.2	8.0	5/16-24UNF			1.54
209		45										1.50
SUC 210-31	1 15/16		3.5433	2.0315	0.9449	0.7480	1.2835	0.3543		6,590	4,070	1.81
210		50	90.0	51.6	24.0	19.0	32.6	9.0	3/8-24UNF			1.76
210-32	2S											1.66
SUC 211-32	2		3.9370	2.1890	0.9843	0.8740	1.3150	0.3543		7,780	4,890	2.78
211		55	100.0	55.6	25.0	22.2	33.4	9.0	3/8-24UNF			2.45
211-35	2 3/16											2.40
SUC 212-36	2 1/4		4.3307	2.5630	1.0630	1.0000	1.5630	0.4134		8,910	5,870	3.68
212		60	110.0	65.1	27.0	25.4	39.7	10.5	3/8-24UNF			3.40
212-39	2 7/16											3.20

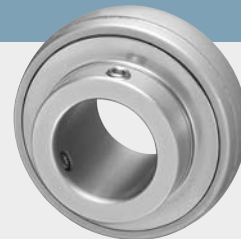
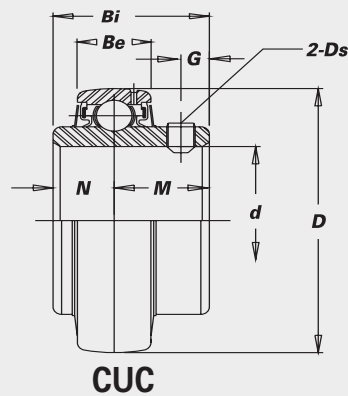
SNA with Eccentric Locking Collar

SNA 204-12	3/4		1.8504	1.5433	0.6299	0.5000	0.6693	0.1890		2,440	1,220	0.45
204		20	47.0	39.2	16.0	12.7	17.0	4.8	1/4-28UNF			0.43
SNA 205-14	7/8		2.0472	1.6220	0.6693	0.5630	0.6850	0.1890		2,670	1,440	0.58
205		25	52.0	41.2	17.0	14.3	17.4	4.8	1/4-28UNF			0.49
205-16	1											0.49
SNA 206-18	1 1/8		2.4409	1.8110	0.7480	0.6260	0.7165	0.2362		3,710	2,020	0.89
206		30	62.0	46.0	19.0	15.9	18.2	6.0	5/16-24UNF			0.84
206-19	1 3/16											0.84
206-20	1 1/4S											0.76
SNA 207-20	1 1/4		2.8346	1.9606	0.7874	0.6890	0.7402	0.2677		4,930	2,780	1.44
207-22	1 3/8		72.0	49.8	20.0	17.5	18.8	6.8	5/16-24UNF			1.28
207		35										1.28
207-23	1 7/16											1.22
SNA 208-24	1 1/2		3.1496	2.1220	0.8268	0.7480	0.8425	0.2677		5,660	3,300	1.75
208		40	80.0	53.9	21.0	19.0	21.4	6.8	5/16-24UNF			1.64
SNA 209-28	1 3/4		3.3465	2.1220	0.8661	0.7480	0.8425	0.2677		6,230	3,680	1.83
			85.0	53.9	22.0	19.0	21.4	6.8	5/16-24UNF			
SNA 210-31	1 15/16		3.5433	2.2480	0.9449	0.7480	0.9685	0.2677		6,590	4,070	2.19
210-32	2S		90.0	57.1	24.0	19.0	24.6	6.8	5/16-24UNF			2.07

Hard Chrome Coated Inserts

CUC Set Screw Lock

Rings	Hard Chrome Coated
Balls	440 Stainless Steel
Seal	Silicone Rubber
Slinger & Seal Frame	302 Stainless Steel
Retainer	302 Stainless Steel*
Set Screws	304 Stainless Steel
Lubrication	H-1 Food Grade Grease
* Chrome coated for sizes 213-215	

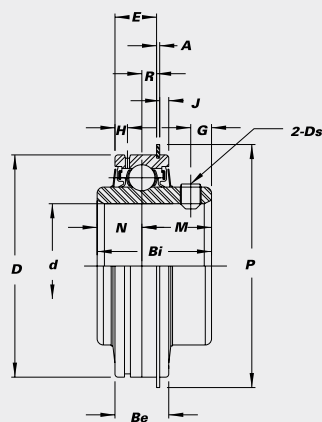


B-type Seal

CORROSION RESISTANT

Bearing No.	Bore Dia. of Bearing		Dimensions (in. (mm))							Basic Load Rating (lbs.)	Basic Static Load Rating (lbs.)	Weight (lbs.)
	d	d	D	B_i	B_e	N	M	G	D_s (in.)			
CUC 204-12 204	$3/4$	20	1.8504 47.0	1.2205 31.0	0.6299 16.0	0.5000 12.7	0.7205 18.3	0.1969 5.0	$1/4$ -28UNF	2,740	1,600	0.35 0.35
CUC 205-14 205 205-16	$7/8$ 1	25	2.0472 52.0	1.3386 34.0	0.6693 17.0	0.5630 14.3	0.7756 19.7	0.2165 5.5	$1/4$ -28UNF	3,010	1,750	0.51 0.44 0.44
CUC 206-18 206 206-19 206-20	$1 1/8$ $1 3/16$ $1 1/4$ S	30	2.4409 62.0	1.5000 38.1	0.7480 19.0	0.6260 15.9	0.8740 22.2	0.2362 6.0	$1/4$ -28UNF	4,200	2,430	0.75 0.71 0.71 0.71
CUC 207-20 207-22 207 207-23	$1 1/4$ $1 3/8$ $1 7/16$	35	2.8346 72.0	1.6890 42.9	0.7874 20.0	0.6890 17.5	1.0000 25.4	0.2559 6.5	$5/16$ -24UNF	5,535	3,340	1.19 1.06 1.06 0.99
CUC 208-24 208	$1 1/2$	40	3.1496 80.0	1.9370 49.2	0.8268 21.0	0.7480 19.0	1.1890 30.2	0.3150 8.0	$5/16$ -24UNF	6,375	3,960	1.50 1.41
CUC 209-27 209-28 209	$1 11/16$ $1 3/4$	45	3.3465 85.0	1.9370 49.2	0.8661 22.0	0.7480 19.0	1.1890 30.2	0.3150 8.0	$5/16$ -24UNF	7,110	4,460	1.63 1.54 1.50
CUC 210-31 210 210-32	$1 15/16$ 2S	50	3.5433 90.0	2.0315 51.6	0.9449 24.0	0.7480 19.0	1.2835 32.6	0.3543 9.0	$3/8$ -24UNF	7,400	4,910	1.81 1.76 1.66
CUC 211-32 211-35	2 $2 7/16$	100.0	3.9370 100.0	2.1890 55.6	0.9843 25.0	0.8740 22.2	1.3150 33.4	0.3543 9.0	$3/8$ -24UNF	9,490	6,440	2.78 2.40
CUC 212-36 212-39	$2 1/4$ $2 7/16$	110.0	4.3307 110.0	2.5630 65.1	1.0630 27.0	1.0000 25.4	1.5630 39.7	0.4134 10.5	$3/8$ -24UNF	11,500	7,940	3.68 3.20
CUC 213-40	$2 1/2$	120.0	4.7244 120.0	2.5630 65.1	1.1024 28.0	1.0000 25.4	1.5630 39.7	0.4724 12.0	$1/2$ -20UNF	12,400	8,760	4.28
CUC 215-47 215-48	$2 15/16$ 3	130.0	5.1181 130.0	3.0630 77.8	1.2598 32.0	1.3110 33.3	1.7520 44.5	0.4724 12.0	$1/2$ -20UNF	14,620	10,540	5.02 4.67

Stainless Steel Bearing Inserts



SSER Set Screw Lock with snap ring

Balls & Rings 440 Stainless Steel
 Set Screws 304 Stainless Steel
 Slinger & Seal Frame 302 Stainless Steel
 Retainer 302 Stainless Steel
 Seal Silicone Rubber
 Lubrication H-1 Food Grade Grease

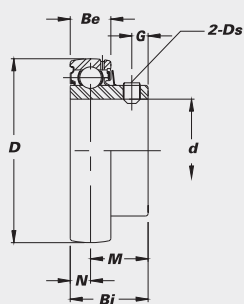


B-type Seal

- B-type Seals
- Overview of corrosion resistant products – pg. 48

CORROSION RESISTANT

Bearing No.	Bore Dia. of Bearing		Dimensions (in.) (mm)													Basic Load Rating (lbs.)	Basic Static Load Rating (lbs.)	Weight (lbs.)
	<i>d</i>	<i>d</i>	<i>D</i>	<i>Bi</i>	<i>Be</i>	<i>N</i>	<i>M</i>	<i>E</i>	<i>A</i>	<i>H</i>	<i>R</i>	<i>J</i>	<i>P</i>	<i>G</i>	<i>Ds</i> (in.)			
SSER 201-8 202-10 204-12 204	1/2 5/8 3/4	20	1.8504 47.0	1.2188 31.0	0.6250 15.9	0.4063 10.3	0.8125 20.6	0.4844 12.30	0.0469 1.19	0.1719 4.4	0.1719 4.37	0.0938 2.38	2.0625 52.4	0.1875 4.8	1/4-28UNF	2,440	1,220	0.49
SSER 205-14 205 205-16	7/8 1	25	2.0472 52.0	1.3750 34.9	0.7500 19.1	0.5156 13.1	0.8594 21.8	0.6094 15.48	0.0469 1.19	0.2031 5.2	0.2344 5.95	0.0938 2.38	2.2656 57.5	0.2188 5.6	1/4-28UNF	2,670	1,440	0.60
SSER 206-18 206 206-19 206-20	1 1/8 1 3/16 1 1/4S	30	2.4409 62.0	1.5000 38.1	0.8661 22.0	0.6260 15.9	0.8740 22.2	0.6760 17.17	0.6550 1.65	0.2165 5.5	0.2421 6.15	0.1252 3.18	2.6575 67.5	0.2362 6.0	1/4-28UNF	3,710	2,020	0.86
SSER 207-20 207-22 207 207-23	1 1/4 1 3/8 1 7/16	35	2.8346 72.0	1.6890 42.9	0.9449 24.0	0.6890 17.5	1.0000 25.4	0.7547 19.17	0.0650 1.65	0.2165 5.5	0.2815 7.15	0.1252 3.18	3.0906 78.4	0.2559 6.5	5/16-24UNF	4,930	2,780	1.39
SSER 208-24 208	1 1/2	40	3.1496 80.0	1.9370 49.2	1.1024 28.0	0.7480 19.0	1.1890 30.2	0.9122 23.17	0.0650 1.65	0.2362 6.0	0.3602 9.15	0.1252 3.18	3.4016 86.4	0.3150 8.0	5/16-24UNF	5,660	3,300	1.79



SSB Set Screw Lock, Narrow Inner Race Relubricatable

Balls & Rings 440 Stainless Steel
 Seal Silicone Rubber
 Slinger & Seal Frame 302 Stainless Steel
 Retainer 302 Stainless Steel
 Set Screws 304 Stainless Steel
 Lubrication H-1 Food Grade Grease



K-type Seal (back)



B-type Seal (front)

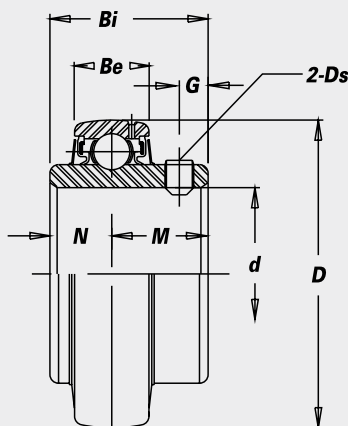
Bearing No.	Bore Dia. of Bearing		Dimensions (in.) (mm)						Basic Load Rating (lbs.)	Basic Static Load Rating (lbs.)	Weight (lbs.)	
	<i>d</i>	<i>d</i>	<i>Be</i>	<i>D</i>	<i>Bi</i>	<i>N</i>	<i>M</i>	<i>G</i>				<i>Ds</i>
SSB 201-8 202-10	1/2 5/8	20	0.4724 12.0	1.5748 40.0	0.8661 22.0	0.2362 6.0	0.6299 16.0	0.1575 4.0	10-32UNF	1,770	830	0.22
SSB 204-12 204	3/4	20	0.5512 14.0	1.8504 47.0	0.9843 25.0	0.2756 7.0	0.7087 18.0	0.1969 5.0	1/4-28UNF	2,440	1,220	0.33
SSB 205-14 205 205-16	7/8 1	25	0.5906 15.0	2.0472 52.0	1.0630 27.0	0.2953 7.5	0.7677 19.5	0.2165 5.5	1/4-28UNF	2,670	1,440	0.40
SSB 206-18 206 206-19 206-20	1 1/8 1 3/16 1 1/4S	30	0.6299 16.0	2.4409 62.0	1.1417 29.0	0.3150 8.0	0.8267 21.0	0.2362 6.0	1/4-28UNF	3,710	2,020	0.60
SSB 207-20 207-22 207 207-23	1 1/4 1 3/8 1 7/16	35	0.6693 17.0	2.8346 72.0	1.2598 32.0	0.3346 8.5	0.9252 23.5	0.2362 6.0	5/16-24UNF	4,930	2,780	0.93

BUC Black Oxide Bearing Inserts



B-type Seal

- Standard duty with set screw lock
- Wide inner race
- B-type Seals



Bearing No.	Bore Dia. of Bearing d		Dimensions (in.) (mm)						Basic Load Rating (lbs.)	Basic Static Load Rating (lbs.)	Weight (lbs.)	
	(in.)	(mm)	D	B_i	B_e	N	M	G				D_s (in.)
BUCW 201-8 202-10	1/2 5/8		1.5748 40.0	1.0236 26.0	0.5906 15.0	0.3937 10.0	0.6299 16.0	0.1575 4.0	10-32UNF	2,040	1,020	0.26 0.24
BUC 201-8 202-10 204-12 204	1/2 5/8 3/4	20	1.8504 47.0	1.2205 31.0	0.6299 16.0	0.5000 12.7	0.7205 18.3	0.1969 5.0	1/4-28UNF	2,740	1,600	0.46 0.42 0.35 0.35
BUC 205-14 205 205-16	7/8 1	25	2.0472 52.0	1.3386 34.0	0.6693 17.0	0.5630 14.3	0.7756 19.7	0.2165 5.5	1/4-28UNF	3,010	1,750	0.51 0.44 0.44
BUC 206-18 206 206-19 206-20	1 1/8 1 3/16 1 1/4S	30	2.4409 62.0	1.5000 38.1	0.7480 19.0	0.6260 15.9	0.8740 22.2	0.2362 6.0	1/4-28UNF	4,200	2,430	0.75 0.71 0.71 0.71
BUC 207-20 207-22 207 207-23	1 1/4 1 3/8 1 7/16	35	2.8346 72.0	1.6890 42.9	0.7874 20.0	0.6890 17.5	1.0000 25.4	0.2559 6.5	5/16-24UNF	5,535	3,340	1.19 1.06 1.06 0.99
BUC 208-24 208	1 1/2	40	3.1496 80.0	1.9370 49.2	0.8268 21.0	0.7480 19.0	1.1890 30.2	0.3150 8.0	5/16-24UNF	6,375	3,960	1.50 1.41
BUC 209-26 209-27 209-28 209	1 5/8 1 11/16 1 3/4	45	3.3465 85.0	1.9370 49.2	0.8661 22.0	0.7480 19.0	1.1890 30.2	0.3150 8.0	5/16-24UNF	7,110	4,460	1.72 1.63 1.54 1.50
BUC 210-30 210-31 210 210-32	1 7/8 1 15/16 2S	50	3.5433 90.0	2.0315 51.6	0.9449 24.0	0.7480 19.0	1.2835 32.6	0.3543 9.0	3/8-24UNF	7,400	4,910	1.92 1.81 1.76 1.66
BUC 211-32 211 211-35	2 2 3/16	55	3.9370 100.0	2.1890 55.6	0.9843 25.0	0.8740 22.2	1.3150 33.4	0.3543 9.0	3/8-24UNF	9,490	6,440	2.78 2.45 2.40
BUC 212-36 212 212-39	2 1/4 2 7/16	60	4.3307 110.0	2.5630 65.1	1.0630 27.0	1.0000 25.4	1.5630 39.7	0.4134 10.5	3/8-24UNF	11,500	7,940	3.68 3.40 3.20
BUC 213-40	2 1/2		4.7244 120.0	2.5630 65.1	1.1024 28.0	1.0000 25.4	1.5630 39.7	0.4724 12.0	1/2-20UNF	12,400	8,760	4.28
BUC 215-47 215-48	2 15/16 3		5.1181 130.0	3.0630 77.8	1.2598 32.0	1.3110 33.3	1.7520 44.5	0.4724 12.0	1/2-20UNF	14,620	10,540	5.02 4.67

CORROSION RESISTANT